



ALPHA CONTROLS LTD. ALPHA HOUSE, HINDLEY INDUSTRIAL ESTATE,  
SWAN LANE, HINDLEY GREEN, WIGAN. WN2 4HR  
TEL No 01942 525833 FAX No 01942 523413  
technicalsales@alphacontrols.co.uk  
www.alphacontrols.co.uk

### 3 WAY 'L' OR 'T' PORTED ACTUATED BRASS BALL VALVE ~ FULL BORE'

**PNEUMATIC ACTUATOR**

**MATERIAL :**  
**MAX PRESSURE**  
**MAX TEMPERATURE**  
**INTERNAL/EXTERNAL FINISH**

**ALUMINIUM ALLOY**  
**8 BAR G**  
**-32 TO + 90C**  
**EPOXY WITH RILSAN**

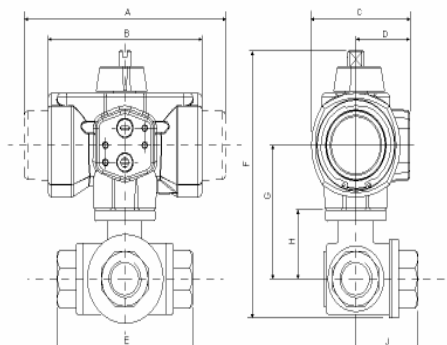
**BALL VALVE**

**THREADS :**  
**MATERIAL :**  
**BODY**  
**BALL**  
**STEM**  
**BALL SEATS**  
**STEM SEALS**

**BSPP**  
**BRASS NICKEL PLATED**  
**BRASS HARD CHROME PLATED**  
**BRASS NICKEL PLATED**  
**PTFE**  
**VITON**

**MAX TEMPERATURE**  
**MAX PRESSURE**

**-32 TO + 90C**  
**PN30 1/4" TO 3/4"**  
**PN16 1"**  
**PN10 1 1/4" TO 2"**



SIZE	DN	S/ACTING	REFERENCE CODE No	A	C	D	E	F	G	H	J
1/4"	10	PWSF03	ACL/RSA/3WBR/14/NC	143.5	68.5	37.5	75.0	117.0	63.0	32.0	59.0
3/8"	10	PWSF03	ACL/RSA/3W3WBR/38/NC	143.5	68.5	37.5	75.0	117.0	63.0	32.0	59.0
1/2"	15	PWSF03	ACL/RSA/3WBR/12/NC	143.5	68.5	37.5	75.0	117.0	63.0	32.0	59.0
3/4"	20	P00SF05	ACL/RSA/3WBR/34/NC	160.0	80.0	44.0	85.0	153.0	88.0	43.0	67.0
1"	25	P05S	ACL/RSA/3WBR/1/NC	194.0	98.0	53.0	103.0	170.5	95.5	48.5	81.0
1 1/4"	32	P05S	ACL/RSA/3WBR/114/NC	194.0	98.0	53.0	117.0	179.0	104.0	57.0	95.0
1 1/2"	40	P10S	ACL/RSA/3WBR/112/NC	236.0	102.0	55.0	130.0	202.0	125.5	75.0	108.0
2"	50	P10S	ACL/RSA/3WBR/2/NC	236.0	102.0	55.0	160.0	213.0	136.5	86.0	135.0

SIZE	DN	D/ACTING	REFERENCE CODE No	B	C	D	E	F	G	H	J
1/4"	10	PWF03	ACL/RDA/3WBR/14	109.0	68.5	37.5	75.0	117.0	63.0	32.0	59.0
3/8"	10	PWF03	ACL/RDA/3WBR/38	109.0	68.5	37.5	75.0	117.0	63.0	32.0	59.0
1/2"	15	PWF03	ACL/RDA/3WBR/12	109.0	68.5	37.5	75.0	117.0	63.0	32.0	59.0
3/4"	20	P00F05	ACL/RDA/3WBR/34	125.0	80.0	44.0	85.0	153.0	88.0	43.0	67.0
1"	25	P00F05	ACL/RDA/3WBR/1	125.0	80.0	44.0	103.0	158.5	93.5	48.5	81.0
1 1/4"	32	P00F05	ACL/RDA/3WBR/114	125.0	80.0	44.0	117.0	167.0	102.0	57.0	95.0
1 1/2"	40	P05	ACL/RDA/3WBR/112	146.0	98.0	53.0	130.0	197.0	122.0	75.0	108.0
2"	50	P05	ACL/RDA/3WBR/2	146.0	98.0	53.0	160.0	208.0	133.0	86.0	135.0

ALL ACTUATORS SIZED ON CLEAN COLD WATER WITH AIR PILOT OF 6 BAR G  
FOR DRY OR DIFFICULT MEDIA APPLICATIONS ~ PLEASE CONSULT OUR OFFICE

PLEASE ADVISE BALL ORIENTATION ON T PORTED ASSEMBLY ON ORDER