



ALPHA CONTROLS LTD. ALPHA HOUSE, HINDLEY INDUSTRIAL ESTATE,
SWAN LANE, HINDLEY GREEN, WIGAN. WN2 4HR
TEL No 01942 525833 FAX No 01942 523413
technicalsales@alphacontrols.co.uk
www.alphacontrols.co.uk

3 WAY ACTUATED STAINLESS STEEL BALL VALVE ~ FULL BORE

PNEUMATIC ACTUATOR

MATERIAL :
MAX PRESSURE
MAX TEMPERATURE
INTERNAL/EXTERNAL FINISH

ALUMINIUM ALLOY
8 BAR G
-32 TO + 90C
EPOXY WITH RILSAN

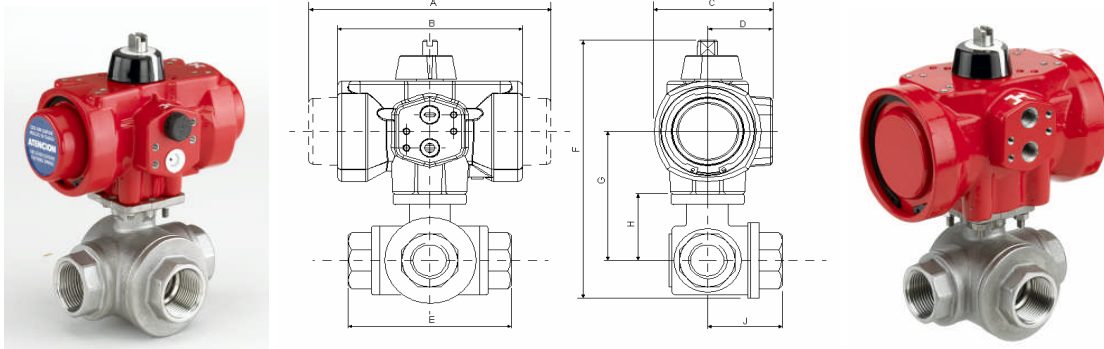
BALL VALVE

THREADS :
MATERIAL :
BODY
BALL
STEM
BALL SEATS
STEM SEALS

BSPP
CF8M (SS316)
SS316
SS316
RPTFE
PTFE/VITON

MAX TEMPERATURE
MAX PRESSURE

-20 TO + 220C
PN40
PN25
PN16



SIZE	DN	S/ACTING	REFERENCE CODE No	A	C	D	E	F	G	H	J
1/4"	10	PWSF03	ACL/RSA/3WSS/14/NC	143.5	68.5	37.5	72.0	123.5	69.5	38.5	36.0
3/8"	10	PWSF03	ACL/RSA/3WSS/38/NC	143.5	68.5	37.5	72.0	123.5	69.5	38.5	36.0
1/2"	15	PWSF03	ACL/RSA/3WSS/12/NC	143.5	68.5	37.5	83.0	126.0	72.0	41.0	41.5
3/4"	20	P00SF04	ACL/RSA/3WSS/34/NC	160.0	80.0	44.0	99.0	159.0	94.0	49.0	49.5
1"	25	P05S	ACL/RSA/3WSS/1/NC	194.0	98.0	53.0	112.0	177.0	102.0	55.0	56.0
1 1/4"	32	P05S	ACL/RSA/3WSS/11/14/NC	194.0	98.0	53.0	125.0	185.0	110.0	63.0	62.5
1/2"	40	P10S	ACL/RSA/3WSS/112/NC	236.0	102.0	55.0	149.0	201.0	124.5	74.0	74.5
2"	50	P15S	ACL/RSA/3WSS/2/NC	194.0	98.0	53.0	174.0	241.0	156.0	93.0	87.0

SIZE		D/ACTING	REFERENCE CODE No	B	C	D	E	F	G	H	J
1/4"	10	PWF03	ACL/RDA/3WSS/14	109.0	68.5	37.5	72.0	123.5	69.5	38.5	36.0
3/8"	10	PWF03	ACL/RDA/3WSS/38	109.0	68.5	37.5	72.0	123.5	69.5	38.5	36.0
1/2"	15	PWF03	ACL/RDA/3WSS/12	109.0	68.5	37.5	83.0	126.0	72.0	41.0	41.5
3/4"	20	PWF03	ACL/RDA/3WSS/34	109.0	68.5	37.5	99.0	134.0	80.0	49.0	49.5
1"	25	PWF03	ACL/RDA/3WSS/1	109.0	68.5	37.5	112.0	140.0	86.0	55.0	56.0
1 1/4"	32	P00	ACL/RDA/3WSS/114	109.0	68.5	37.5	125.0	173.0	108.0	63.0	62.5
1/2"	40	P05	ACL/RDA/3WSS/112	109.0	68.5	37.5	149.0	196.0	121.0	74.0	74.5
2"	50	P05	ACL/RDA/3WSS/2	125.0	80.0	44.0	174.0	215.0	140.0	93.0	87.0

ALL ACTUATORS SIZED ON CLEAN COLD WATER WITH AIR PILOT OF 6 BAR G
FOR DRY OR DIFFICULT MEDIA APPLICATIONS ~ PLEASE CONSULT OUR OFFICE

PLEASE ADVISE BALL ORIENTATION ON T PORTED ASSEMBLY ON ORDER