



ALPHA CONTROLS LTD. ALPHA HOUSE, HINDLEY INDUSTRIAL ESTATE,
SWAN LANE, HINDLEY GREEN, WIGAN. WN2 4HR
TEL No 01942 525833 FAX No 01942 523413
technicalsales@alphacontrols.co.uk
www.alphacontrols.co.uk

ACTUATED PN16 LUGGED BUTTERFLY VALVE 04062007

PNEUMATIC ACTUATOR

MATERIAL :
MAX PRESSURE
MAX TEMPERATURE
INTERNAL/EXTERNAL FINISH

ALUMINIUM ALLOY
8 BAR G
-32 TO + 90C
EPOXY WITH RILSAN

BUTTERFLY VALVE

FULLY LUGGED AND TAPPED

MATERIAL :

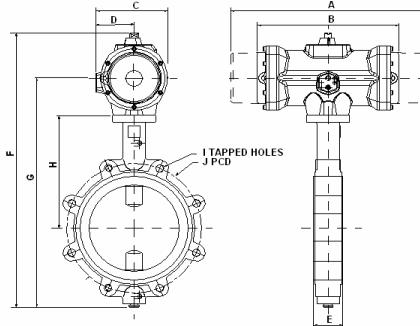
BODY
DISC
STEM
LINER

PN16

CI GGG20
CF8M (SS316) ~ (OPTIONS ON REQUEST ~ ALI-BRONZE, NP-DUCTILE IRON)
SS415
EPDM OPTIONS ON REQUEST ~ (VITON, BUNA, PTFE/EPDM)

MAX TEMPERATURE
MAX PRESSURE

-20 TO 120C
PN16 (16 BAR G)



| SIZE | DN | S/ACTING | REFERENCE CODE No | A | C | D | E | F | G | H | I | J |
|--------|-----|----------|----------------------|-------|-------|-------|------|-------|-------|-------|----------|-------|
| 11/2" | 40 | P05S | ACL/RSA/BUTVL/40/NC | 194.0 | 98.0 | 53.0 | 33.0 | 316.0 | 241.0 | 130.0 | 4 x M16 | 110.0 |
| 2" | 50 | P05S | ACL/RSA/BUTVL/50/NC | 194.0 | 98.0 | 53.0 | 42.0 | 363.2 | 241.0 | 162.0 | 4 x M16 | 125.0 |
| 2 1/2" | 65 | P15S | ACL/RSA/BUTVL/65/NC | 266.0 | 115.0 | 60.0 | 45.0 | 411.0 | 326.0 | 174.5 | 4 x M16 | 145.0 |
| 3" | 80 | P15S | ACL/RSA/BUTVL/80/NC | 266.0 | 115.0 | 60.0 | 45.0 | 425.0 | 340.0 | 181.0 | 8 x M16 | 160.0 |
| 4" | 100 | P20S | ACL/RSA/BUTVL/100/NC | 312.0 | 127.0 | 67.0 | 52.0 | 472.0 | 382.0 | 200.0 | 8 x M16 | 180.0 |
| 5" | 125 | P25S | ACL/RSA/BUTVL/125/NC | 362.0 | 152.0 | 78.0 | 54.0 | 528.2 | 423.2 | 212.7 | 8 x M16 | 210.0 |
| 6" | 150 | P30S | ACL/RSA/BUTVL/150/NC | 479.0 | 177.0 | 94.0 | 55.7 | 575.4 | 450.0 | 225.4 | 8 x M20 | 240.0 |
| 8" | 200 | P40S | ACL/RSA/BUTVL/200/NC | 598.0 | 226.0 | 120.0 | 60.0 | 706.8 | 550.8 | 260.3 | 8 x M20 | 295.0 |
| 10" | 250 | P40S | ACL/RSA/BUTVL/250/NC | 598.0 | 266.0 | 120.0 | 68.0 | 777.0 | 621.0 | 292.0 | 12 x M20 | 335.0 |
| 12" | 300 | P50S | ACL/RSA/BUTVL/300/NC | 694.0 | 257.5 | 135.0 | 76.0 | 890.5 | 710.5 | 336.5 | 12 x M20 | 410.0 |
| 14" | 350 | AOR | ACL/RSA/BUTVL/250/NC | AOR | AOR | AOR | AOR | AOR | AOR | AOR | AOR | AOR |

| SIZE | DN | D/ACTING | REFERENCE CODE No | B | C | D | E | F | G | H | I | J |
|--------|-----|----------|-------------------|-------|-------|------|------|-------|-------|-------|----------|-------|
| 11/2" | 40 | P00F05 | ACL/RDA/BUTVL/40 | 125.0 | 80.0 | 44.0 | 33.0 | 304.0 | 241.0 | 130.0 | 4 x M16 | 110.0 |
| 2" | 50 | P00F05 | ACL/RDA/BUTVL/50 | 125.0 | 80.0 | 44.0 | 42.0 | 304.0 | 241.0 | 162.0 | 4 x M16 | 125.0 |
| 2 1/2" | 65 | P05 | ACL/RDA/BUTVL/65 | 146.0 | 98.0 | 53.0 | 45.0 | 385.0 | 326.0 | 174.5 | 4 x M16 | 145.0 |
| 3" | 80 | P05 | ACL/RDA/BUTVL/80 | 146.0 | 98.0 | 53.0 | 45.0 | 399.0 | 340.0 | 181.0 | 8 x M16 | 160.0 |
| 4" | 100 | P10 | ACL/RDA/BUTVL/100 | 182.0 | 102.0 | 55.0 | 52.0 | 438.0 | 382.0 | 200.0 | 8 x M16 | 180.0 |
| 5" | 125 | P15 | ACL/RDA/BUTVL/125 | 203.0 | 115.0 | 60.0 | 54.0 | 485.2 | 423.2 | 212.7 | 8 x M16 | 210.0 |
| 6" | 150 | P20 | ACL/RDA/BUTVL/150 | 234.0 | 127.0 | 67.0 | 55.7 | 525.0 | 450.0 | 225.4 | 8 x M20 | 240.0 |
| 8" | 200 | P25 | ACL/RDA/BUTVL/200 | 276.0 | 152.0 | 78.0 | 60.0 | 625.8 | 550.8 | 260.3 | 8 x M20 | 295.0 |
| 10" | 250 | P30 | ACL/RDA/BUTVL/250 | 349.0 | 177.0 | 94.0 | 68.0 | 716.0 | 621.0 | 292.0 | 12 x M20 | 335.0 |
| 12" | 300 | P30 | ACL/RDA/BUTVL/300 | 349.0 | 177.0 | 94.0 | 76.0 | 788.5 | 710.5 | 336.5 | 12 x M20 | 410.0 |
| 14" | 350 | AOR | ACL/RDA/BUTVL/350 | AOR | AOR | AOR | AOR | AOR | AOR | AOR | AOR | AOR |

ALL ACTUATORS SIZED ON CLEAN COLD WATER WITH AIR PILOT OF 6 BAR G
FOR DRY OR DIFFICULT MEDIA APPLICATIONS ~ PLEASE CONSULT OUR OFFICE

IF ASSEMBLY IS REQUIRED NORMALLY OPEN, PLEASE CHANGE NC TO N/O ON YOUR ORDER