



ALPHA CONTROLS LTD. ALPHA HOUSE, HINDLEY INDUSTRIAL ESTATE,
SWAN LANE, HINDLEY GREEN, WIGAN. WN2 4HR
TEL No 01942 525833 FAX No 01942 523413
technicalsales@alphacontrols.co.uk
www.alphacontrols.co.uk

ACTUATED UNIVERSAL WAFER BUTTERFLY VALVE

PNEUMATIC ACTUATOR

MATERIAL :
MAX PRESSURE
MAX TEMPERATURE
INTERNAL/EXTERNAL FINISH

ALUMINIUM ALLOY
8 BAR G
-32 TO + 90C
EPOXY WITH RILSAN

BUTTERFLY VALVE

WAFER DESIGN (UNIVERSAL)

MATERIAL :

BODY

DISC

STEM

LINER

PN10/16 ANSI150, BS TABLE 10 E/D

CI GGG20

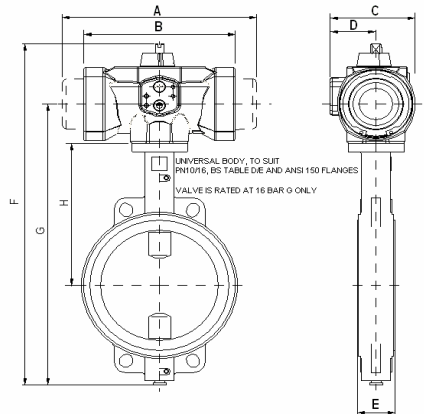
CF8M (SS316) (OPTIONS ON REQUEST ~ ALI-BRONZE, NP-DUCTILE IRON)

SS415

EPDM (OPTIONS ON REQUEST ~ VITON, BUNA, PTFE/EPDM)

MAX TEMPERATURE
MAX PRESSURE

-20 TO 120C
PN16 (16 BAR G)



SIZE	DN	S/ACTING	REFERENCE CODE No	A	C	D	E	F	G	H
11/2"	40	P05S	ACL/RSA/BUTVW/40/NC	194.0	98.0	53.0	33.0	316.0	241.0	130.0
2"	50	P05S	ACL/RSA/BUTVW/50/NC	194.0	98.0	53.0	42.0	363.2	241.0	162.0
2 1/2"	65	P15S	ACL/RSA/BUTVW/65/NC	266.0	115.0	60.0	45.0	411.0	326.0	174.5
3"	80	P15S	ACL/RSA/BUTVW/80/NC	266.0	115.0	60.0	45.0	425.0	340.0	181.0
4"	100	P20S	ACL/RSA/BUTVW/100/NC	312.0	127.0	67.0	52.0	472.0	382.0	200.0
5"	125	P25S	ACL/RSA/BUTVW/125/NC	362.0	152.0	78.0	54.0	528.2	423.2	212.7
6"	150	P30S	ACL/RSA/BUTVW/150/NC	479.0	177.0	94.0	55.7	575.4	450.0	225.4
8"	200	P40S	ACL/RSA/BUTVW/200/NC	598.0	226.0	120.0	60.0	706.8	550.8	260.3
10"	250	P40S	ACL/RSA/BUTVW/250/NC	598.0	266.0	120.0	68.0	777.0	621.0	292.0
12"	300	P50S	ACL/RSA/BUTVW/300/NC	694.0	257.5	135.0	76.0	890.5	710.5	336.5
14"	350	AOR	ACL/RSA/BUTVW/350/NC	AOR	AOR	AOR	AOR	AOR	AOR	AOR

SIZE	DN	D/ACTING	REFERENCE CODE No	B	C	D	E	F	G	H
11/2"	40	P00F05	ACL/RDA/BUTVW/40	125.0	80.0	44.0	33.0	316.0	241.0	130.0
2"	50	P00F05	ACL/RDA/BUTVW/50	125.0	80.0	44.0	42.0	363.2	241.0	162.0
2 1/2"	65	P05	ACL/RDA/BUTVW/65	146.0	98.0	53.0	45.0	411.0	326.0	174.5
3"	80	P05	ACL/RDA/BUTVW/80	146.0	98.0	53.0	45.0	425.0	340.0	181.0
4"	100	P10	ACL/RDA/BUTVW/100	182.0	102.0	55.0	52.0	472.0	382.0	200.0
5"	125	P15	ACL/RDA/BUTVW/125	203.0	115.0	60.0	54.0	528.2	423.2	212.7
6"	150	P20	ACL/RDA/BUTVW/150	234.0	127.0	67.0	55.7	575.4	450.0	225.4
8"	200	P25	ACL/RDA/BUTVW/200	276.0	152.0	78.0	60.0	706.8	550.8	260.3
10"	250	P30	ACL/RDA/BUTVW/250	349.0	177.0	94.0	68.0	777.0	621.0	292.0
12"	300	P30	ACL/RDA/BUTVW/300	349.0	177.0	94.0	76.0	890.5	710.5	336.5
14"	350	AOR	ACL/RDA/BUTVW/350	AOR	AOR	AOR	AOR	AOR	AOR	AOR

ALL ACTUATORS SIZED ON CLEAN COLD WATER WITH AIR PILOT OF 6 BAR G
FOR DRY OR DIFFICULT MEDIA APPLICATIONS ~ PLEASE CONSULT OUR OFFICE

IF ASSEMBLY IS REQUIRED NORMALLY OPEN CHANGE N/C TO N/O ON YOUR ORDER