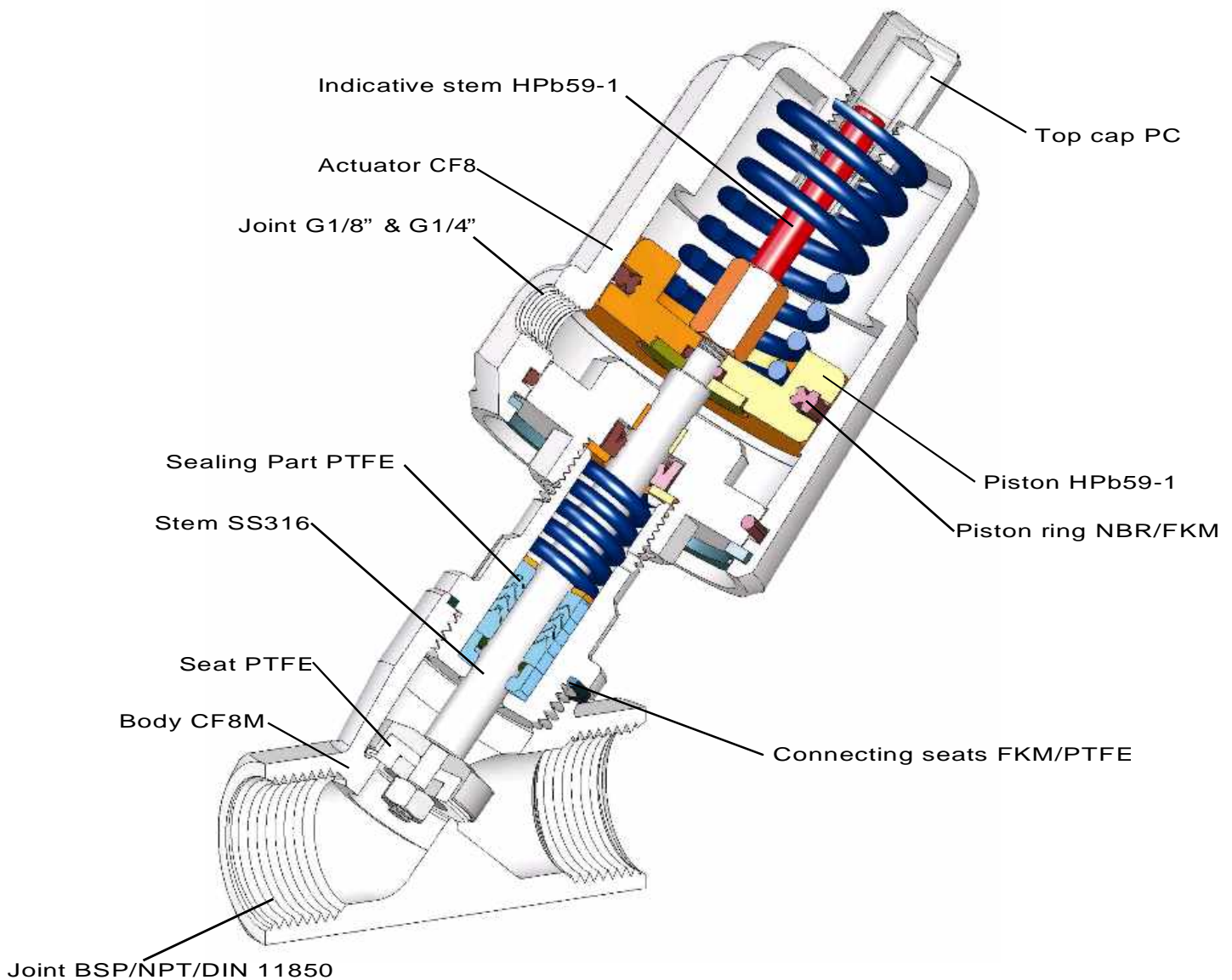




# Stainless steel Angle seat valve .....long service fast response



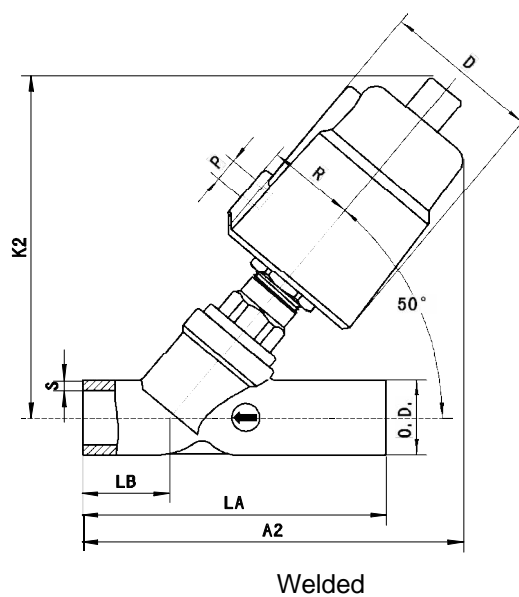
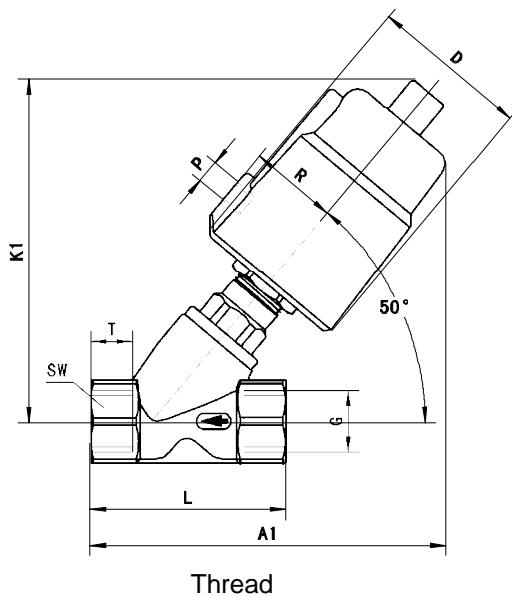
**Technical Data**

Joint size: DN10-DN50  
 Thread: G3/8" -G2"  
 Welded body: CF8M  
 Seat Seals: PTFE  
 Stem seals: PTFE/FKM  
 Piston seats: FKM/NBR

Applicable medium: Water, liquid,  
 neutral gas, water steam .  
 Temperature range: PTFE:- 10°C to +180°C  
 Ambient temperature:- 10°C to +60°C  
 Viscosity: max 600mm2/s  
 Installation: Any position  
 Controlling medium: Air or neutral gas  
 Controlling pressure rang: 0.3-1MPa

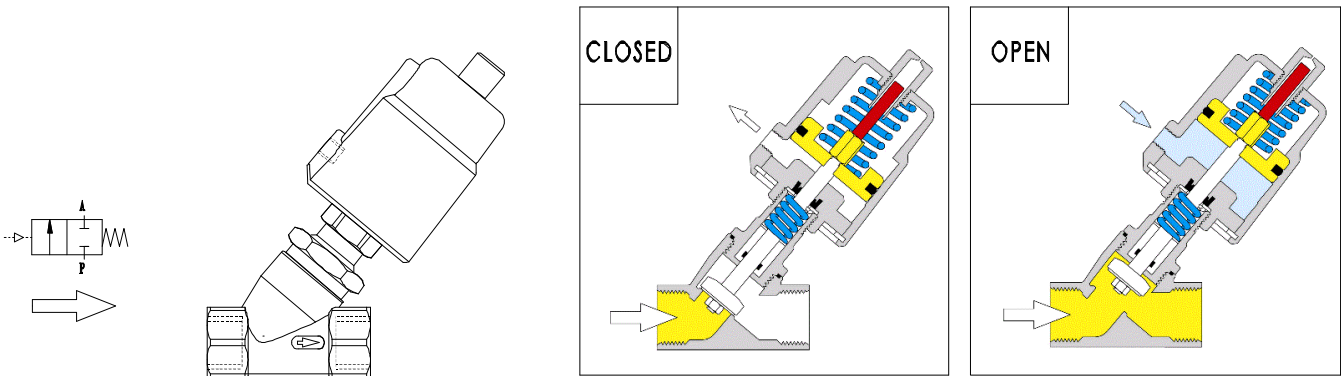
**Size:**

Type	Actuator mm	D mm	R mm	P	Thread						Welded					
					G	K1 mm	A1 mm	L mm	T mm	SW mm	O.D mm	K2 mm	A2 mm	LA mm	LB mm	S mm
DN10	40	45.5	27	G1/8"	G3/8"	115	120	68	12	26.6	-	-	-	-	-	-
	50	60	35	G1/8"	G3/8"	126	133	68	12	26.6	-	-	-	-	-	-
DN15	40	45.5	27	G1/8"	G1/2"	115	120	68	15	26.6	21.3	115	128	100	30	2.65
	50	60	35	G1/8"	G1/2"	126	133	68	15	26.6	21.3	126	140	100	30	2.65
DN20	50	60	35	G1/8"	G3/4"	131	137	75	16	32	26.9	131	136	108	31	3.45
DN25	50	60	35	G1/8"	G1"	140	149	90	17	39.5	33.7	140	150	112	32	3.85
	63	77	43	G1/8"	G1"	165	174	90	17	39.5	33.7	165	175	112	32	3.85
DN32	63	77	43	G1/8"	G1-1/4"	175	188	116	21	50	38	175	193	136	40	3.35
	80	98	52	G1/4"	G1-1/4"	187	199	116	21	50	38	186	202	136	40	3.35
	100	121	63	G1/4"	G1-1/4"	198	209	116	21	50	38	195	217	136	40	3.35
DN40	63	77	43	G1/8"	G1-1/2"	178	190	116	21	55.3	45	178	193	146	40	4.7
	80	98	52	G1/4"	G1-1/2"	192	200	116	21	55.3	45	187	204	146	40	4.7
	100	121	63	G1/4"	G1-1/2"	202	216	116	21	55.3	45	297	219	146	40	4.7
DN50	63	77	43	G1/8"	G2"	184	203	138	22	70	57	184	206	160	45	4.2
	80	98	52	G1/4"	G2"	196	213	138	22	70	57	197	216	160	45	4.2
	100	121	63	G1/4"	G2"	210	230	138	22	70	57	206	232	160	45	4.2



Ordering chart III  
Normal close (Anti-water hammer)

Normal close against with flow direction



	Type	End	Orifice mm	Actuator mm	Kv m <sup>3</sup> /h	180 Working Pressure MPa	Pressure range MPa	Control Pressure range MPa	Model No.
Thread	DN10	G3/8"	13	50	4.7	1.6	0-1.6	0.45	100509
	DN15	G1/2"	13	50	4.7		0-1.6	0.45	100504
	DN20	G3/4"	18	50	9.5		0-1.2	0.45	100506
	DN25	G1"	24	63	18.1		0-1.0	0.45	100500
	DN32	G1-1/4"	31	63	23.1		0-0.6	0.45	100510
	DN32	G1-1/4"	31	80	23.1		0-1.6	0.4	100517
	DN40	G1-1/2"	35	80	32.9		0-1.0	0.4	100518
	DN40	G1-1/2"	35	100	32.9		0-1.6	0.4	100520
	DN50	G2"	45	80	52.8		0-0.6	0.4	100519
	DN50	G2"	45	100	52.8		0-1.0	0.4	100521
Welded DIN11850.2	DN15	19X1.5	13	50	4.7	1.6	0-1.6	0.45	302504
	DN20	23X1.5	18	50	9.5		0-1.2	0.45	302506
	DN25	29X1.5	24	63	18.1		0-1.0	0.45	302500
	DN32	35X1.5	31	63	23.1		0-0.6	0.45	302510
	DN32	35X1.5	31	80	23.1		0-1.6	0.4	302517
	DN40	41X1.5	35	80	32.9		0-1.0	0.4	302518
	DN40	41X1.5	35	100	32.9		0-1.0	0.4	302520
	DN50	53X1.5	45	80	52.8		0-0.6	0.4	302519
	DN50	53X1.5	45	100	52.8		0-1.0	0.4	302521

DIN11850.3 ISO2037 is available or according to the customer's requirements