

Control pressure switch MDR 43



Control pressure switch MDR 43

Max. cut-out pressure 16 bar
 Transparent cover
 1 N.C. + 1 N.O.
 Acc. to EN 60947

Type overview MDR 43

Order reference	ON / OFF Rotary knob	Pressure range P _{OFF} in bar	Flange	Weight in g	Part No.
MDR-43 BAA BAAA xxxA020 XAA XXX	-	0.5 - 3	G 1/2"	420	212775
MDR-43 BBA BAAA xxxA020 XAA XXX	-	0.5 - 3	G 1/4"	420	212782
MDR-43 DAA BAAA xxxA040 XAA XXX	-	2.5 - 6	G 1/2"	420	212799
MDR-43 DBA BAAA xxxA040 XAA XXX	-	2.5 - 6	G 1/4"	420	212805
MDR-43 GAA BAAA xxxA090 XAA XXX	-	5 - 11	G 1/2"	420	212812
MDR-43 GBA BAAA xxxA090 XAA XXX	-	5 - 11	G 1/4"	420	212829
MDR-43 HAA BAAA xxxA120 XAA XXX	-	8 - 16	G 1/2"	420	212836
MDR-43 HBA BAAA xxxA120 XAA XXX	-	8 - 16	G 1/4"	420	212843

Cut-in pressure is tightest possible pressure differential The cut-out pressure is preset

Cable glands for retrofit assembly to be ordered separately, see Accessories!

Technical Data MDR 43

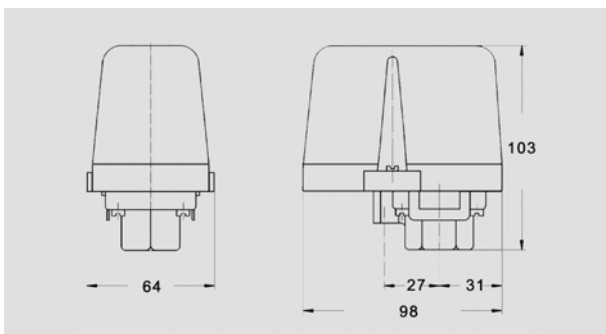
Technical Data MDR 43 acc. to EN 60947	
Rated insulation voltage U _i	500 V
Rated operating current I _e (AC 15)	8 A
Rated insulation voltage U _e (AC 15)	250 V
Electrical life (AC 3) Cycles	> 1.5 x 10 ⁵
Mechanical life Cycles	> 1 x 10 ⁶
Max. electrical cycles Cycles/h	120
Max. mechanical cycles Cycles/h	600
Rated operational current I _e at 240 V AC	10 A
Bursting strength P _z	> 60 bar

Technical Data MDR 43 acc. to EN 60947	
Permissible medium temperature Air	- 5...+ 80 °C
Permissible medium temperature Water	+ 80 °C
Conductor cross-section 1 .. flexible cable 1 x / 2 x	2.5 / 2.5mm ²
Conductor cross-section 1 rigid cable 1 x / 2 x	2.5 / 2.5mm ²

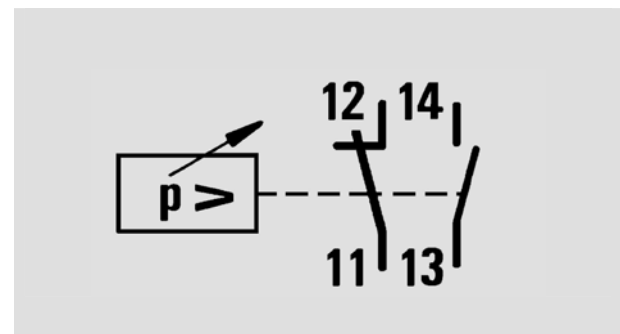
Diaphragm media resistance MDR 43	
Acetylene, Butane, Natural gas, Petroleum, Vinegar 25 %, Glycerol, Carbon dioxide, Air, Propane, Sulphur dioxide, Silicon oil, Water, Distilled water, Hydrogen, Sea water	resistant

A detailed overview of diaphragm media resistance for all pressure switches can be found in the table on page 2.11

Dimensions / Circuit Diagrams MDR 43



Pressure switch MDR 43



Control pressure switch MDR 43



Accessories MDR 43

Order reference	Description	Weight in g	Part No.
	Cable glands		
WN	Grommet	6	200888
PG 11 G	Conduits for mounting cable glands (inner thread)	6	200895
PG 11 V	Cable glands complete	12	200901
PG 11 Z	With strain relief	12	200925
PG 11 ZK	With strain relief and cable support	12	200918
PG 13,5 G	Conduits for mounting cable glands (inner thread)	6	200963
PG 13,5 V	Cable glands complete	12	200932
PG 13,5 Z	With strain relief	12	200956
PG 13,5 ZK	With strain relief and cable support	12	200949
	Mounting bracket		
MW 4	Mounting bracket	65	230021
	Cover		
H43 (Cover MDR 43)	Cover (Transparent)	70	230038

Wall-mounting bracket / Cable glands MDR 43



MW 4



WN



PG .. G



PG .. V



PG .. Z



PG .. ZK

Pressure Diagrams MDR 43

