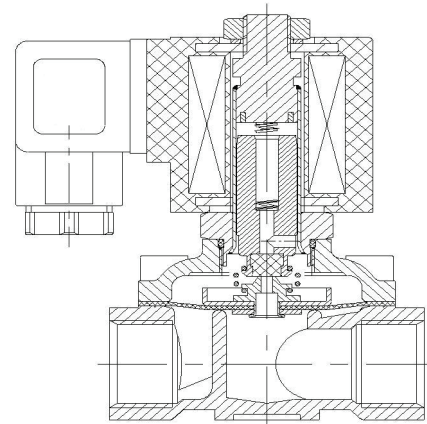
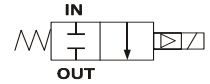


## 2/2 General Purpose

### ACL2W31 Series , Diaphragm Direct

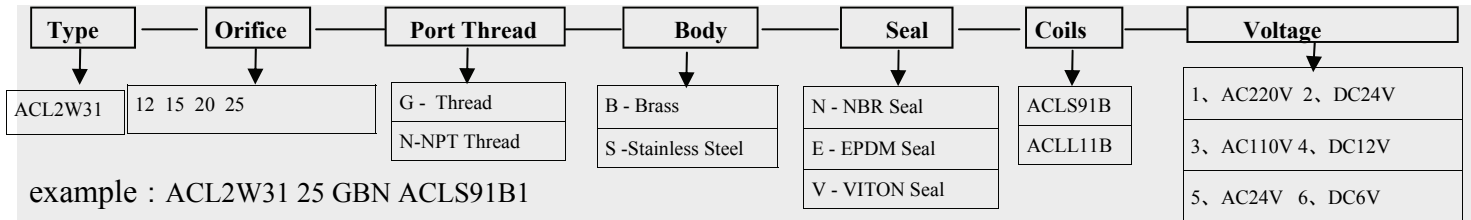
- Characteristic :** 1.Direct lifting diaphragm construction;  
2.Open from zero bar for low pressure system use  
3.High frequency of DIN plug coil
- Medium :** Air, City Gas, Water, Oil, Petroleum, etc.
- Temperature:** NBR Seal: 14F to 176F , -10°C to 80°C  
EPDM Seal: 14F to 250F , -10°C to 120°C  
VITON Seal : 14F to 300F, -10°C to 150°C
- Pressure:** ACL2W31: 0.0 Bar g~ 10.0 Bar g
- Port Size:** 3/8" , 1/2" , 3/4" , 1"
- Port Thread:** BSPP , BSPT , NPT , Flanged , UNF
- Orifice (mm):** 12 , 15 , 20 , 25
- Voltage:** DC - 12V , 24V  
AC - 24V , 120V , 240V@60HZ ; 110V, 220V@50HZ
- Coils :** ACLS91B, 17VA(AC), 10W(DC), IP65,100%ED
- Special coils:** Latching coil. DC 6 ~ 12 V
- Material:** Body - Brass or Stainless steel  
Seal -NBR, EPDM, PTFE or VITON  
Armature Tube - Stainless Steel 304  
Plunger - Stainless Steel 430F  
Stop -SS430F  
Springs - SS 304  
Shading Rings - Stainless Steel 304



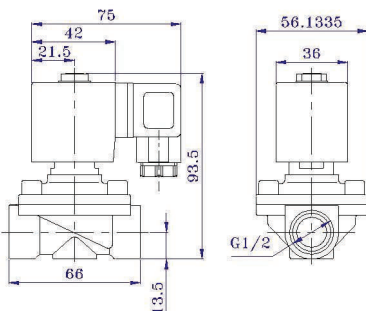
#### ACL2W31 Normally Closed , with Coil ACLS91B

Port Size	Orifice	Cv	Min Pressure	Max Pressure		Seals Material	Body Material	Valve Body	Coil
				AC(17VA)	DC(10W)				
3/8"	12	4.5	0.0 Bar g	10.0 Bar g	10.0 Bar g	EPDM,PTFE, VITON,	Brass, or Stainless Steel	ACL2W3112 X X X	ACLS91B
1/2"	15	4.5	0.0 Bar g	10.0 Bar g	10.0 Bar g			ACL2W3115 X X X	ACLS91B
3/4"	20	9.3	0.0 Bar g	10.0 Bar g	10.0 Bar g			ACL2W3120 X X X	ACLS91B
1"	25	12	0.0 Bar g	10.0 Bar g	10.0 Bar g			ACL2W3125 X X X	ACLS91B

#### Determine Valve Body Code



#### Dimension



Body	ACL2W3112 XXX	ACL2W3115 XXX	ACL2W3120 XXX	ACL2W3125 XXX
A	66	66	73	97
B	56	56	56	77.5
C	97	97	103	111
D	13.5	13.5	16.5	20.5