

3/2 General Purpose

ACLG31 Series, 3 Way Miniature Valves

Characteristic : 1.Direct acting miniature construction at low power consumption
2.Compact design to save the space
3.Applied to low pressure system, open from 0 bar

Medium : Air, Water, Steam, Oil, etc

Temperature: NBR Seal: 14F to 176F , -10°C to 80°C
EPDM Seal : 14F to 250F , -10°C to 120°C
VITON Seal : 14F to 300F, -10°C to 150°C
PTFE Seal : -4F to 350F, -20°C to 180°C

Pressure: ACLG31: 0.0 Bar g~ 15.0 Bar g

Port Size: 1/8" , 1/4"

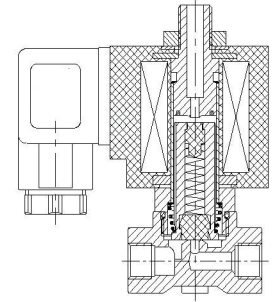
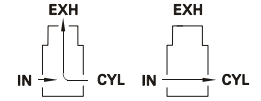
Port Thread: BSPP , BSPT , NPT , FLANGED

Orifice (mm): 1.6 , 2.0 , 2.5 , 3.0 , 3.5 , 4.0 , 5.0

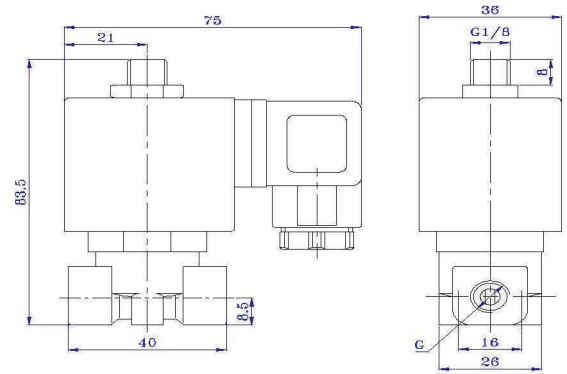
Voltage: DC - 12V , 24V
AC - 24V , 120V , 240V@60HZ ; 110V, 220V@50HZ

Coils : ACLS91B, 17VA(AC), 10W(DC), IP65,100%ED
ACLS21B, 22VA(AC), 15W(DC), IP65,100%ED

Material: Body - Brass or stainless steel
Seal -VITON,NBR,EPDM,PTFE
Armature Tube - Stainless Steel 304
Plunger - Stainless Steel 430F
Stop -SS430F
Springs - SS 304
Shading Rings - Stainless Steel 304



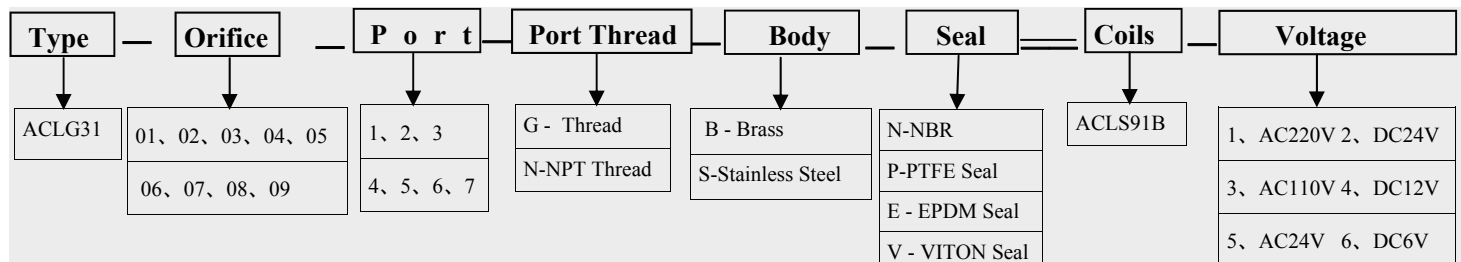
Dimension



ACLG31 Series, 3 way , with Coil ACLS91B

Port Size	Body (mm)	Top (mm)	Cv	Min Pressure	Max Pressure		Seals Material	Body Material	Valve Body	Coil
					AC(22VA)	DC(14W)				
1/8"	1.6	1.6	0.25	0.0 Bar g	15.0 Bar g	15.0 Bar g	NBR, or VITON,	Brass, SS304	ACLG3101X X X X	ACLS91B
1/8"	2.5	2.5	0.25	0.0 Bar g	10.0 Bar g	10.0 Bar g			ACLG3103X X X X	ACLS91B
1/8"	3.0	3.0	0.35	0.0 Bar g	8.0 Bar g	8.0 Bar g			ACLG3104X X X X	ACLS91B
1/8"	4.0	4.0	0.50	0.0 Bar g	5.0 Bar g	5.0 Bar g			ACLG3106X X X X	ACLS91B
1/4"	2.5	2.5	0.25	0.0 Bar g	10.0 Bar g	10.0 Bar g			ACLG3103X X X X	ACLS91B
1/4"	3.0	3.0	0.35	0.0 Bar g	8.0 Bar g	8.0 Bar g			ACLG3104X X X X	ACLS91B
1/4"	3.5	3.5	0.4	0.0 Bar g	6.0 Bar g	6.0 Bar g			ACLG3105X X X X	ACLS91B
1/4"	4.0	4.0	0.5	0.0 Bar g	5.0 Bar g	5.0 Bar g			ACLG3106X X X X	ACLS91B
1/4"	4.5	4.5	0.61	0.0 Bar g	4.0 Bar g	4.0 Bar g			ACLG3107X X X X	ACLS91B

Determine Valve Body Code



example : ACLG3101 GBN ACLS91B1