

A Leader in the Design & Manufacture of Electro-Mechanical Products

## DSVP15N DISPENSE VALVE

2-Way, direct-acting, gravity fed solenoid valve designed to dispense water or similar media from a tank.

### Applications

- Hot & cold drink dispensers
- Tank or boiler draining
- Water purification equipment

### Features

- UR, cUR, NSF, ENEC, & WRAS certifications
- Removable outlet port
- Multiple connection options
- Flow adjuster option
- Coil orientation every 45°



Patent Pending



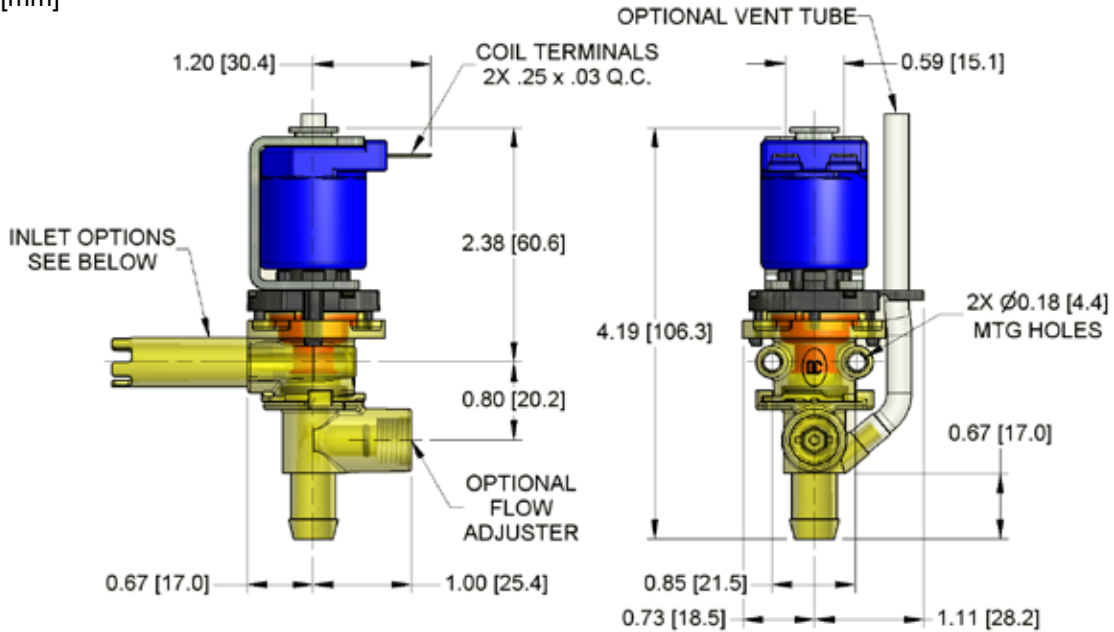
Electrical Specifications	
Coil Voltages	24, 100, 120, 200, 240 VAC 50,60 Hz   12, 24, 36 VDC
Coil Power	AC valves 14W   DC valves 12W
Coil Terminals	0.25" x 0.03" spade terminals
Coil Rectification	Full wave rectifier available for AC coils (may impact certifications)
Duty Cycle	50%, 1 minute on
Coil Treatment	Polyester encapsulated
Insulation Class	Class F (155° C)
Ambient Temperature	45° C max.
Mechanical Specifications	
Media	Water up to 98° C
Operating Pressure	0-24 inches (0-60 mbar)
Operating Position	Any position between horizontal and facing up. Use of vent tube limits orientation.
Mounting Bracket	Available on request - See drawing on subsequent pages.
Inlet / Outlet Connections	See options on subsequent pages.
Vent Tube Option	Available on request - See drawing on subsequent pages.
Valve Body Material	PSU - Polysulfone
Diaphragm Material	VMQ - Silicone
<b>Agency Approvals</b>	UR, cUR, NSF, ENEC, WRAS
<b>Patents</b>	Patent Pending

**See the latest Deltrol Solenoid Valve Products at The Avex Show 2011**  
[www.avex2011.co.uk](http://www.avex2011.co.uk)

A Leader in the Design & Manufacture of Electro-Mechanical Products

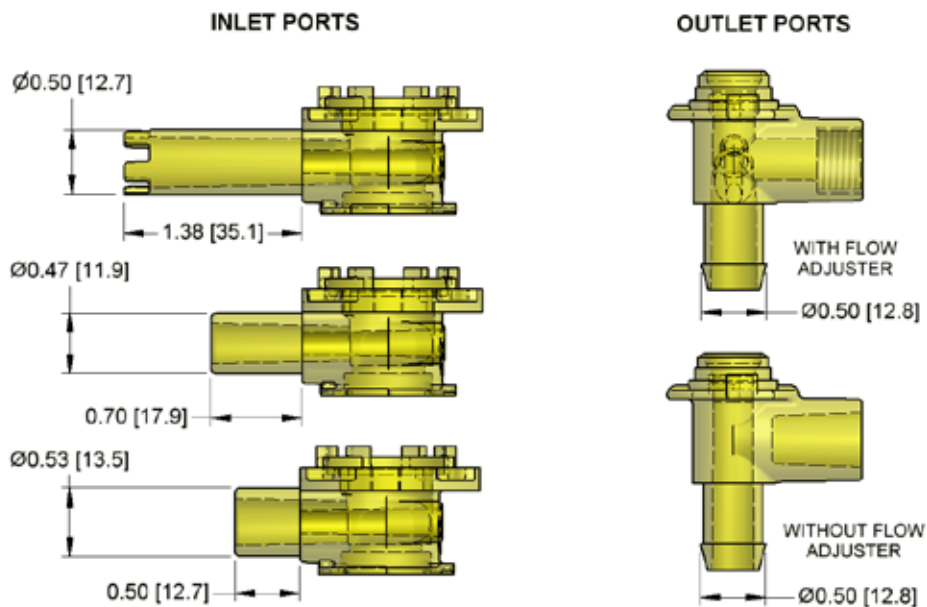
## Dimensional View

Units: Inches [mm]



## Port Options

Units: Inches [mm]

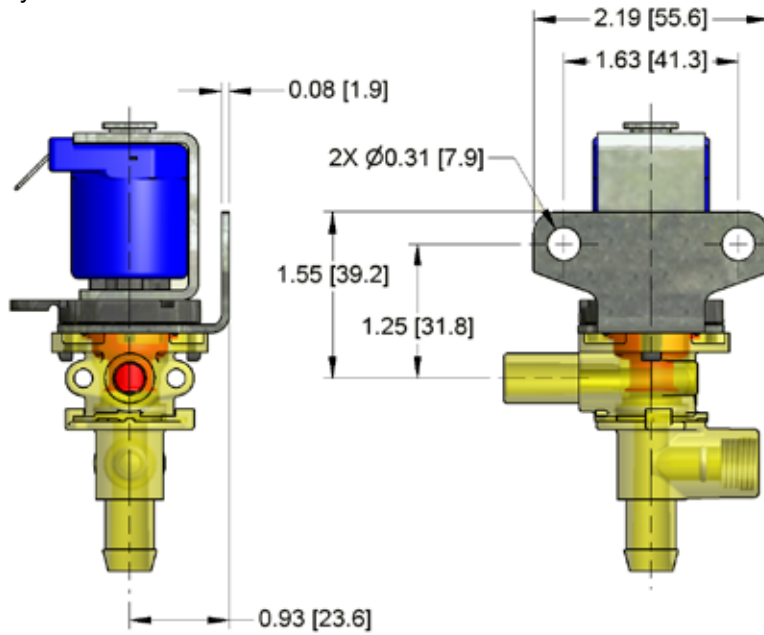


A Leader in the Design & Manufacture of Electro-Mechanical Products

**Bracket Option**

Units: Inches [mm]

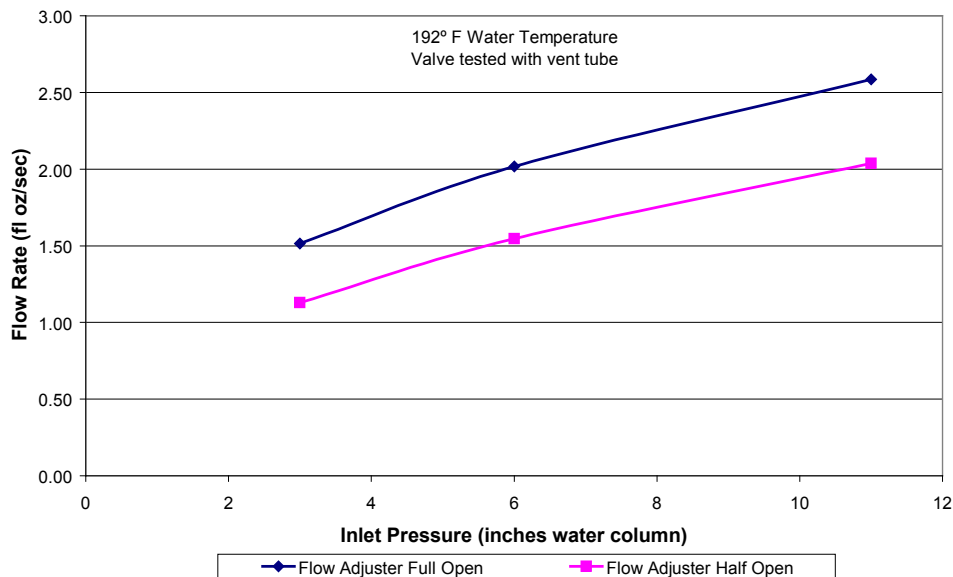
Bracket can be oriented at any 90° increment



**Flow Data**

Flow data is approximate and will be affected by application variables. User must verify performance in their application.

**DSVP15N Flow Data**



Specifications subject to change without notice

Page 3 of 4

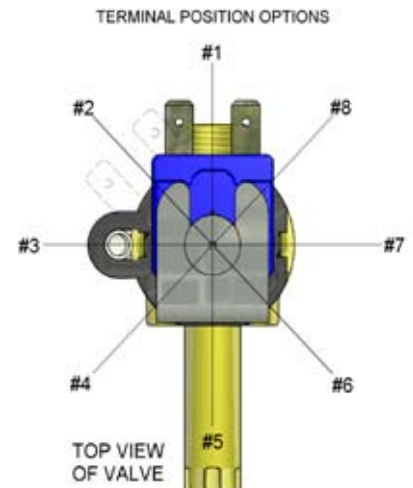
A Leader in the Design & Manufacture of Electro-Mechanical Products

## Ordering Information

When ordering, please provide as much of the following information as possible to help specify the appropriate valve configuration for your application. If you require assistance, please contact a Deltrol Controls Sales Engineer:

1. What voltage will be supplied to the valve?
  - 12VDC • 24VAC 50/60Hz
  - 24VDC • 100VAC 50/60Hz
  - 36VDC • 110/120VAC 50/60Hz
  - 200VAC 50/60Hz
  - 220/240VAC 50/60Hz
2. Will your application require a flow adjuster? (See Dimensional View and Port Options on page 2)
3. What inlet port option does your application require? (See Port Options on page 2)
4. Will your application require a vent tube? (See Dimensional View on page 2)
5. What coil spade terminal configuration will your application require?
  - Straight, as shown in the Dimensional View on page 2
  - Bent up, away from valve body
  - Bent down, towards valve body
6. What is the required coil terminal position?  
(See diagram at the right)
7. How should the frame leg be positioned relative to the terminals?
  - Opposite the terminals
  - Positions #1, 3, 5, or 7

(Note: terminal position may limit frame leg position options)
8. Do you require a mounting bracket? (See Bracket Option view on page 3)
  - No
  - Yes, position #1, 3, 5, or 7





A Leader in the Design & Manufacture of Electro-Mechanical Products

## FLOOR SCRUBBER VALVES

### Overview

Deltrol Controls floor scrubber valves are direct acting solenoid valves designed to control gravity fed water from a tank. They are ideal for floor scrubber applications because of their large passageways that reduce clogging, usage of chemically resistant materials, reliable operation, and cost-effectiveness. There are a multitude of models and options to choose from. For many years, major floor scrubber manufacturers have relied on Deltrol Controls floor scrubber valves.

### Features

- Large passageways allow particles to easily pass through without clogging the valve
- Nylon valve body material provides excellent chemical resistance
- Viton with PTFE seal material provides excellent chemical resistance
- 0-200 mbar pressure rating - ideal for controlling gravity-fed water from a tank.
- Flow adjuster available on DSVP10 & DSVP11 models
- Full range of coil voltages available
  - 12, 24, & 36 VDC
  - 24, 120, 240 VAC
- DSVP11 & DSVP12 coils available with DIN 43650, Deutsch DT04-2P, 1/4" terminals, or lead wires. DSVP10 coils available with 1/4" terminals.
- Multiple port and mounting bracket options available
- RoHS compliant

Visit [www.deltrol-controls.com](http://www.deltrol-controls.com) for further details



**DSVP10**



**DSVP11**



**DSVP12**



## **STANDARD NAMUR MOUNT SWITCH BOX**



Namur Mount Switch box/SS Bracket



**ASL-210N**

- Solid and Compact Design.
- Aluminum, Epoxy Coated Enclosure.
- Temperature range  $-25$  to  $+85^{\circ}\text{C}$
- Visual Indicator Yellow/Red as Standard.
- Dual Cable Entry M20 as standard, other on request.
- Namur Bracket and Shaft in Stainless Steel.
- Two Mechanical Switches (2-DPDT), 125-250vac(5 Amp)
- IP67
- 8 Point Terminal Rail

**LOW COST AVAILABLE EXSTOCK**

**CONTACT US FOR PRICES & FURTHER INFORMATION**

ALPHA CONTROLS LTD, ALPHA HOUSE, HINDLEY INDUSTRIAL ESTATE.  
HINDLEY GREEN, WIGAN. WN2 4HR. Tel: 01942 525 833 Fax: 01942 523 413  
email: [technicalsales@aphacontrols.co.uk](mailto:technicalsales@aphacontrols.co.uk) website: [www.alphacontrols.co.uk](http://www.alphacontrols.co.uk)



## **SS 316 STAINLESS STEEL BODY PISTON VALVES** **(ANGLE SEAT)**



### **Typical Applications.**

- **Steam Isolation**
- **Filling Packaging Production**
- **Ink Fabric and Textile**
- **Pulp and Paper**
- **Water Processing**
- **Autoclaves**
- **Keg/Cask Washing M/C's**

PN16 Angle Seat Valve

- **Remote controlled valve for media temperatures up to 200°C**
- **Angled body for higher flow rates**
- **Anti-water hammer design (flow under seat)**
- **Operator rotates through 360°**
- **Position indicator as Standard**
- **Compact valve body design**
- **1/2" to 2" sizes available, BSP(Opt's NPT, Butt or Socket Weld)**
- **Stainless Steel 316 Body with 304 Actuator Housing**
- **High life cycle expectancy**
- **Maintenance free PTFE gland seals**

**LOW COST AVAILABLE STOCK**

**CONTACT US FOR PRICES & FURTHER INFORMATION**

ALPHA CONTROLS LTD, ALPHA HOUSE, HINDLEY INDUSTRIAL ESTATE.  
HINDLEY GREEN, WIGAN. WN2 4HR. Tel: 01942 525 833 Fax: 01942 523 413  
email: [technicalsales@alphacontrols.co.uk](mailto:technicalsales@alphacontrols.co.uk) website: [www.alphacontrols.co.uk](http://www.alphacontrols.co.uk)