

# Alpha ALS Series Flameproof Valve Monitor

The ALS500 series flameproof valve monitor is a rotary position indication device in HAZARDOUS area (Ex d IIC T6). Armed with mechanical switch, inductive or magnet sensors this device can sense mechanical position (on/off) of the valve for remote PLC or PC indication. The visual indicator on the top of the device can also clearly display the valve position for local detection.

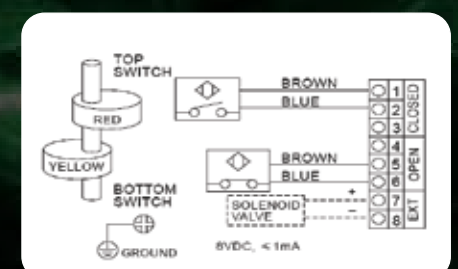


APPROVED BY:



## SPECIFICATIONS AND TECHNICAL DATA

- **Enclosure:** Die-casting aluminum: O-ring sealed
- **Coating:** Dichromate conversion with polyester powder coating
- **O-rings:** Buna N
- **Environment:** NEMA 4,4X,7,8 IP66
- **Area Classification:** Class 1, Div.1&2, Groups C and D, Ex d IIB T6
- **Fasteners:** Stainless steel
- **Shaft:** Stainless steel Namur
- **Conduit Entries:** Two 3/4" NPT. Also available with two 1/2" or 3/4" BSPP, 1/2" NPT, M20-1.5
- **Sensor (PP22):** 2-p+f NCB2-V3-No inductive sensors NAMUR (2 wire) 8DCV, <=1mA
- **Terminal Strip Contacts:** 8~10
- **Mounting Bracket:** MB - 3.3: 30 x 80, 130 H:20, 30 (Carbon steel)
- **Temperature Rating:** -25C-85C

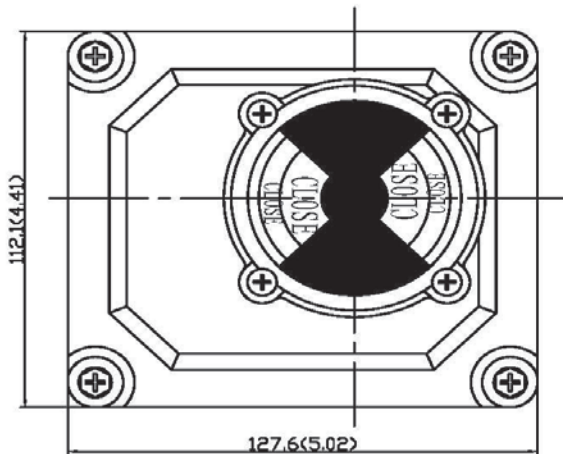
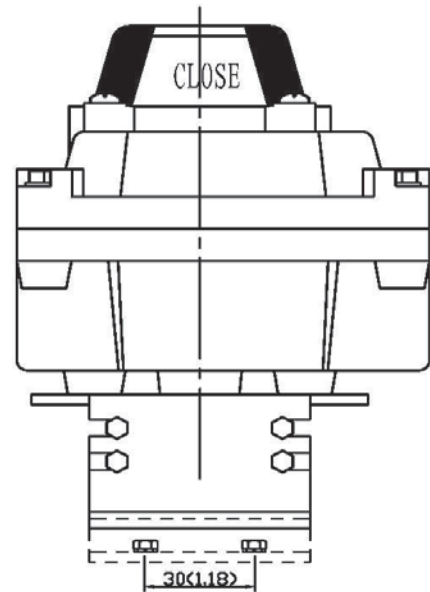
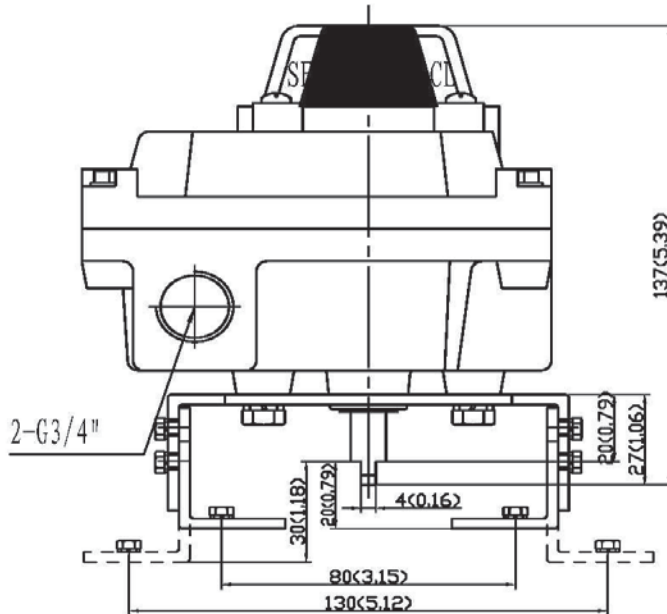


**HIGH QUALITY | EXCELLENT PRICE | WHERE QUALITY COUNTS**

Alpha Controls Ltd Alpha House, 1 Ormside Close, Hindley Industrial Estate, Hindley Green, Wigan. WN2 4HR. | Tel: +44 (0)1942 525833 | E-mail: technicalsales@alphacontrols.co.uk  
www.alphacontrols.co.uk | www.alphacontrolssystems.com



**DIMENSIONS**



**HIGH QUALITY | EXCELLENT PRICE | WHERE QUALITY COUNTS**

Alpha Controls Ltd Alpha House, 1 Ormside Close, Hindley Industrial Estate, Hindley Green, Wigan. WN2 4HR. | Tel: +44 (0)1942 525833 | E-mail: technicalsales@alphacontrols.co.uk  
www.alphacontrols.co.uk | www.alphacontrolssystems.com

