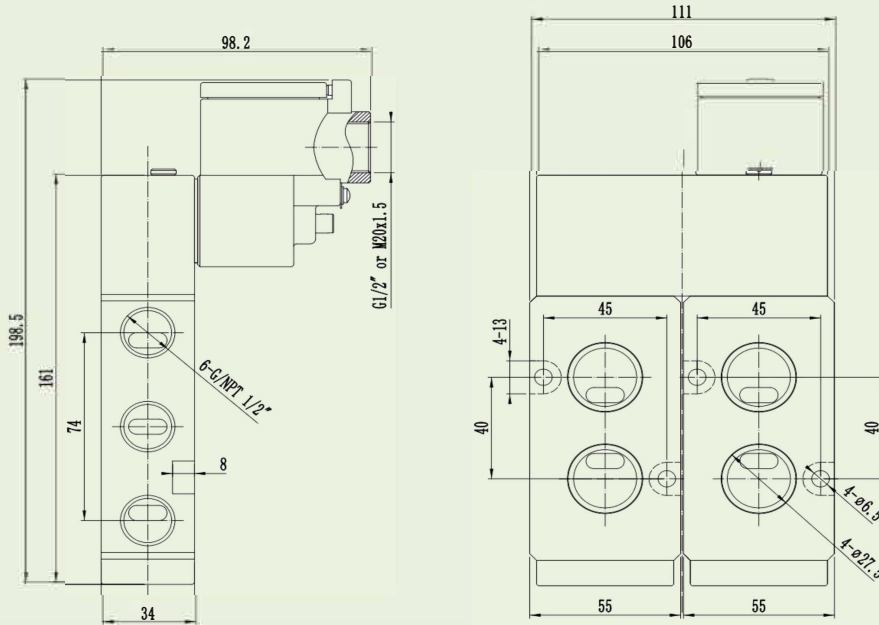
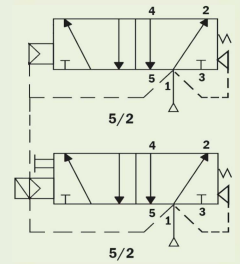


4.5 Two-body series

ALV series integrated pilot acting solenoid valve

ALV412F5C5C*, Aluminum, Namur Connection, IP67

- Air Ports & Mounting:** Air ports G1/2" (or NPT) Exhaust G1/2" (or NPT), Namur Mounting
Function: Pilot acting, 2×5/2 (optional 2×3/2), Monostable
Working Voltage: 24/110 VDC-3.5W; 110/120/220/240VAC-4VA(50/60HZ)
Working Medium: less than 40µm filtered and dried air, 2~8 bar
Area Classification: Ex d IIC T6 Gb (Class I Zone 1)
Working Temperature: -5°C~60°C Optional -40°C~60°C
Flow rate (So): CV =2×2.79 (2×50mm²)



ALV412P5C5C*, Aluminum, In-line Connection, IP67

- Air Ports & Mounting:** Air ports G1/2" (or NPT) Exhaust G1/2" (or NPT), Namur Mounting
Working Voltage: 24/110 VDC-3.5W; 110/120/220/240VAC-4VA(50/60HZ)
Working Medium: less than 40µm filtered and dried air, 2~8 bar
Function: Pilot acting, 2×5/2 (optional 2×3/2)
Area Classification: Ex d IIC T6 Gb (Class I Zone 1)
Working Temperature: -5°C~60°C Optional -40°C~60°C
Flow rate (So): CV =2×2.79 (2×50mm²)

