

PRODUCT NAME

ACHEM NAMUR SOLENOID VALVE

MODEL NO.

ALV310F3C0D

DESCRIPTION OF THE PRODUCT

The ALV310F3C0D solenoid valve is directly Namur connection design (pipe connection available). For 5/2 function, the spool valve can be directly mounted to the Namur interface of the pneumatic actuator. For 3/2NC function, armed with 3/2 Namur interface plate provided, the spool valve also can be mounted to the Namur interface of the pneumatic actuator. Working pressure from 2 bar to 8 bar and the working voltage from 24-48VDC, 110-240VAC.



APPROVED BY



IP66

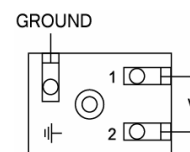
NAME4,4X

Coil Specification	C0D	C0AD
Supplier	ACHEM	AMISCO
Operating Voltage	24/48VDC-4W 110/210/220/240VAC-5VA(50/60HZ)	
Wiring Connector	External Thread Connectors	
Cable Entry	PG9 + PG11(5-10mm), 1/2" NPT on request	
Insulation Protection	F Class wire	
Insulated voltage	1000V	
Weather Proof	IP66	IP65
Duty factor	100% ED	
Coil encapsulation	glass filled resin	glass filled nylon

SPOOL VALVE TECHNICAL DATA

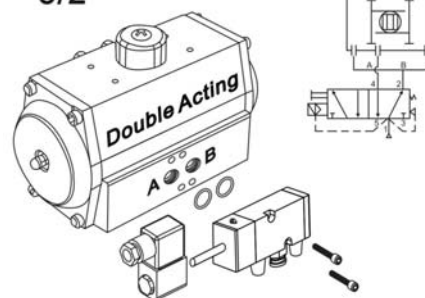
Spool valve/Body	Extruded aluminum
Coating	Anodized coated, or Nickel coated in chemical
Seal	Buna N
Materials in contact with fluid	Aluminum, Glass-filled PA, Buna N
Function	5/2 and 3/2NC with plate, CV =1.4, Monostable
Air Ports	Air ports 1/4" BSPP or NPT
Assembly and Connection	24x32 Namur, Manual override on body
Fasteners	Stainless steel
Environment	indoor and outdoor
Medium Temperature	-5°C ~80°C
Working Pressure	2~8 bar
Working Medium	less than 40µm filtered and dried air
Bistable(ALV320F3C0)	available on requiring
Working life	more than 1000,000 cycle (On the normal working condition)

Wiring Diagram

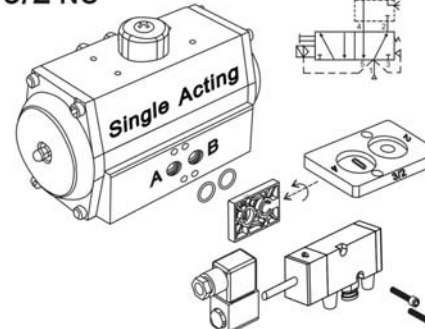


Mounting

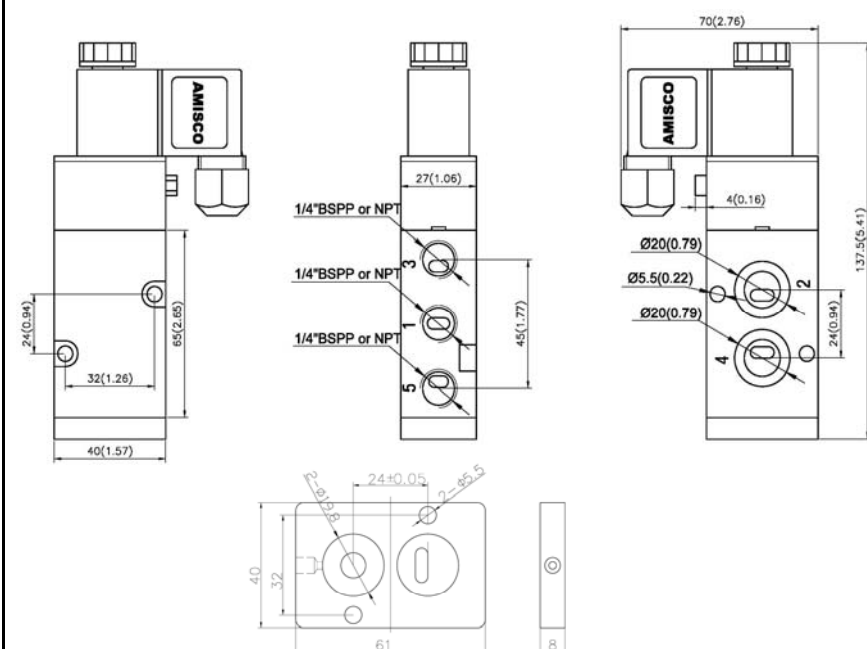
5/2



3/2 NC



DRAWING



***For continuous improvement of the product, we reserve the right to alter the dimensions, technical data and information included in this data sheet.