

Product ID ALV410F1C5

**PRODUCT NAME**

**ACHEM FLAMEPROOF NAMUR SOLENOID VALVE**

**MODEL NO.**

**ALV410F1C5**

**DESCRIPTION OF THE PRODUCT**

Based on NAMUR standard(40x45), the ALV410F1C5 ACHEM NAMUR solenoid valve can be directly mounted for controlling single-acting pneumatic actuators which located in hazardous area(Zone 1 &2). Working pressure from 2 bar to 8 bar and the working voltage from 12-48VDC, 110-240VAC.



**APPROVED BY**



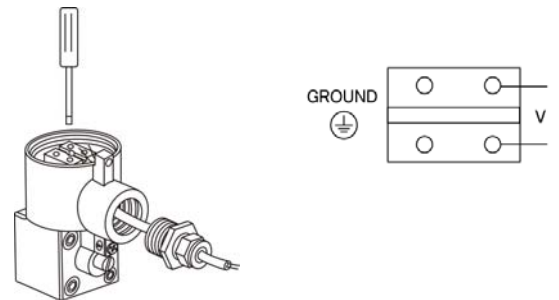
**Coil Specification(C5)**

<b>Coil Enclosure</b>	Die-casting aluminum + Epoxy coated
<b>Wiring Connector</b>	M20-1.5 or 1/2"NPT, Terminal Strip
<b>Operating Voltage</b>	12/24/48VDC-3.5W 110/210/220/240VAC-4VA(50/60HZ)
<b>Insulation Protection</b>	F Class Coil
<b>Insulated voltage</b>	1000V
<b>Duty factor</b>	100% ED
<b>Area Classification</b>	Ex II2 G EEe d IIC T6
<b>Weather Proof</b>	IP66
<b>Operating Temp.</b>	-20°C ~60°C

**SPOOL VALVE TECHNICAL DATA**

<b>Spool valve/Body</b>	Extruded aluminum
<b>Coating</b>	Anodized coated, or Nickel coated in chemical
<b>Seal</b>	Buna N
<b>Materials in contact with fluid</b>	Aluminum, Glass-filled PA, POM, Buna N
<b>Function</b>	3/2 NC, CV =2.79, 2745 l/min, Monostable
<b>Air Ports</b>	Air ports 1/2" BSPP or NPT
<b>Assembly and Connection</b>	40x45 Namur, Manual override on body
<b>Fasteners</b>	Stainless steel
<b>Environment</b>	Type 4, 4X (indoor and outdoor)
<b>Medium Temperature</b>	-5°C ~80°C
<b>Working Pressure</b>	2~8 bar
<b>Working Medium</b>	less than 40µm filtered and dried air
<b>Working life</b>	more than 1000,000 cycle (On the normal working condition)
<b>Main feature</b>	1, Manual override on the body;

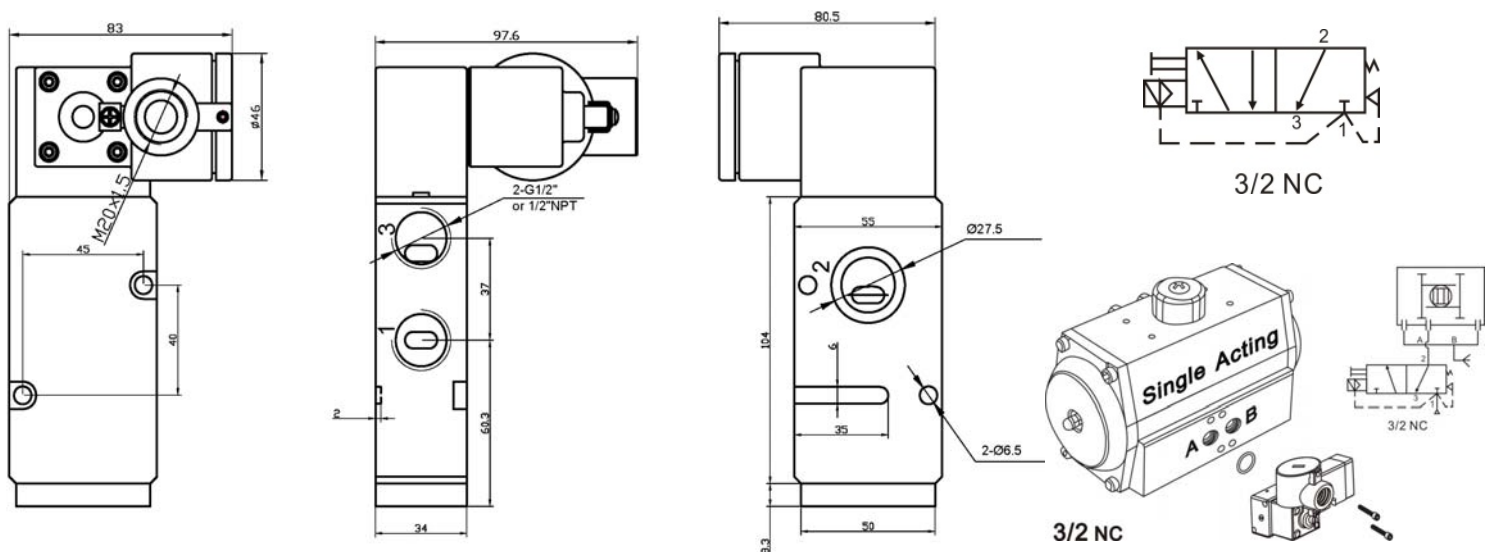
**Wiring Diagram**



Note: M20-1.5 Exd Cable Gland is not included. Enquiry please contact with us.

- 2, Interchangeable coils for various hazardous area options;
- 3, Stainless steel exhaust dust caps fitted as standard.

**DRAWING AND MOUNTING**



\*\*\*For continuous improvement of the product, we reserve the right to alter the dimensions, technical data and information included in this data sheet.



Engineering & Technical Centre, 1 Ormside Close, Hindley Industrial Estate, Hindley Green, Wigan, WN24HR, Greater Manchester, UK, Tel +44 (0) 1942 525833, Technicalsales@alphacontrols.co.uk, www.alphacontrols.co.uk

