

**PRODUCT NAME**

**ACHEM FLAMEPROOF NAMUR SOLENOID VALVE**

**MODEL NO.**

**ALV410F2C5**

**DESCRIPTION OF THE PRODUCT**

Based on NAMUR standard(40x45), the ALV410F2C0 ACHEM NAMUR solenoid valve can be directly mounted for controlling double-acting pneumatic actuators which located in hazardous area(Zone 1 & 2). Working pressure from 2 bar to 8 bar and the working voltage from 12-48VDC, 110-240VAC.



**APPROVED BY**



**Coil Specification(C5)**

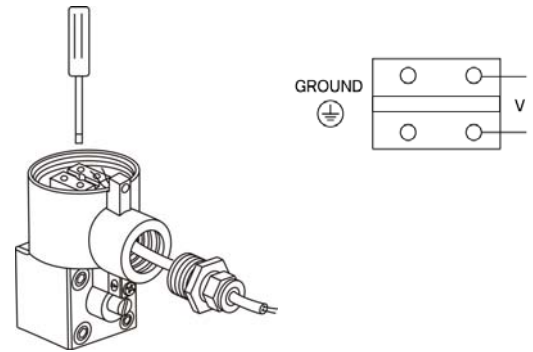
Coil Enclosure	Die-casting aluminum + Epoxy coated
Wiring Connector	M20-1.5 or 1/2"NPT, Terminal Strip
Operating Voltage	12/24/48VDC-3.5W 110/210/220/240VAC-4VA(50/60HZ)
Insulation Protection	F Class Coil
Insulated voltage	1000V
Duty factor	100% ED
Area Classification	Ex II2 G EEx d IIC T6
Weather Proof	IP66
Operating Temp.	-20°C~60°C

**SPOOL VALVE TECHNICAL DATA**

Spool valve/Body	Extruded aluminum
Coating	Anodized coated, or Nickel coated in chemical
Seal	Buna N
Materials in contact with fluid	Aluminum, Glass-filled PA, POM, Buna N
Function	5/2, CV =2.79, 2745 l/min, Monostable
Air Ports	Air ports 1/2" BSPP or NPT
Assembly and Connection	40x45 Namur, Manual override on body
Fasteners	Stainless steel
Environment	Type 4, 4X (indoor and outdoor)
Medium Temperature	-5°C~80°C
Working Pressure	2~8 bar
Working Medium	less than 40µm filtered and dried air
Bistable(ALV420F2C5)	available on requiring
Working life	more than 1000,000 cycle (On the normal working condition)
Main feature	1, Manual override on the body;

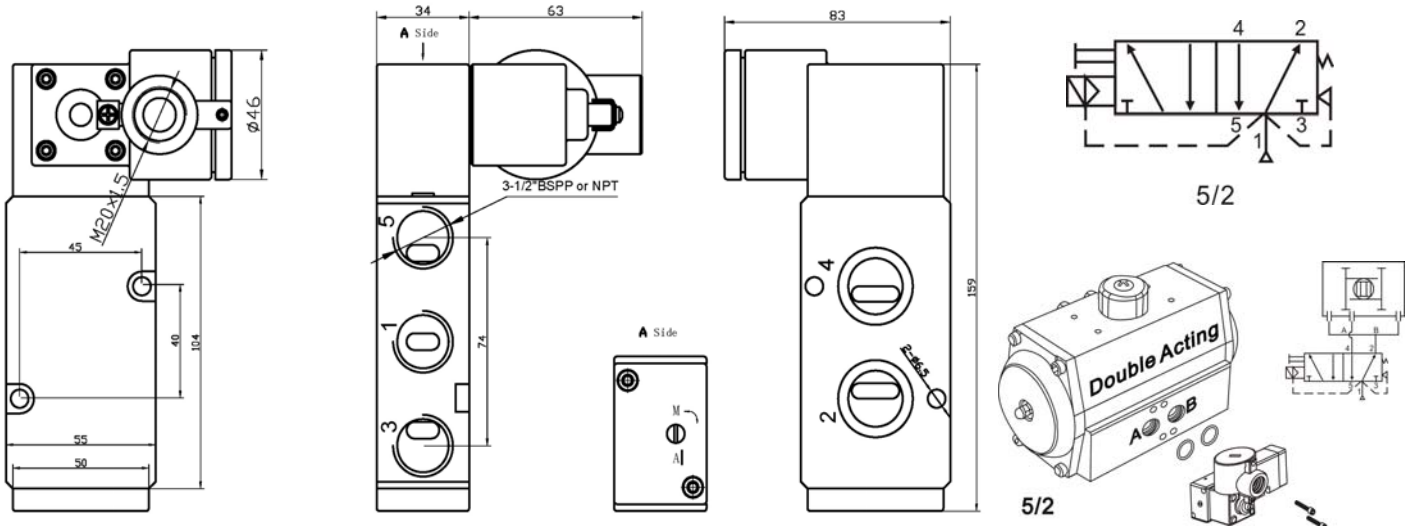
- 2, 3/2NC and 5/2 Namur connections on same body;
- 3, Interchangeable coils for various hazardous area options;
- 4, Stainless steel exhaust dust caps fitted as standard.

**Wiring Diagram**



Note: M20-1.5 Exd Cable Gland is not included. Enquiry please contact with us.

**DRAWING AND MOUNTING**



\*\*\*For continuous improvement of the product, we reserve the right to alter the dimensions, technical data and information included in this data sheet.

