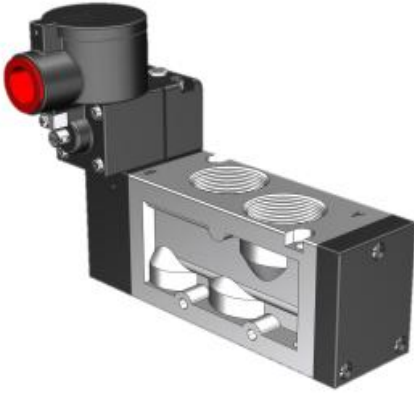


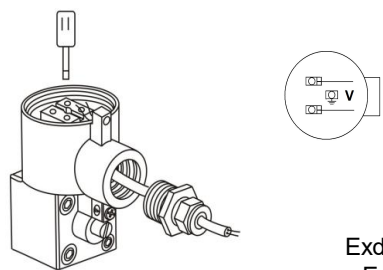
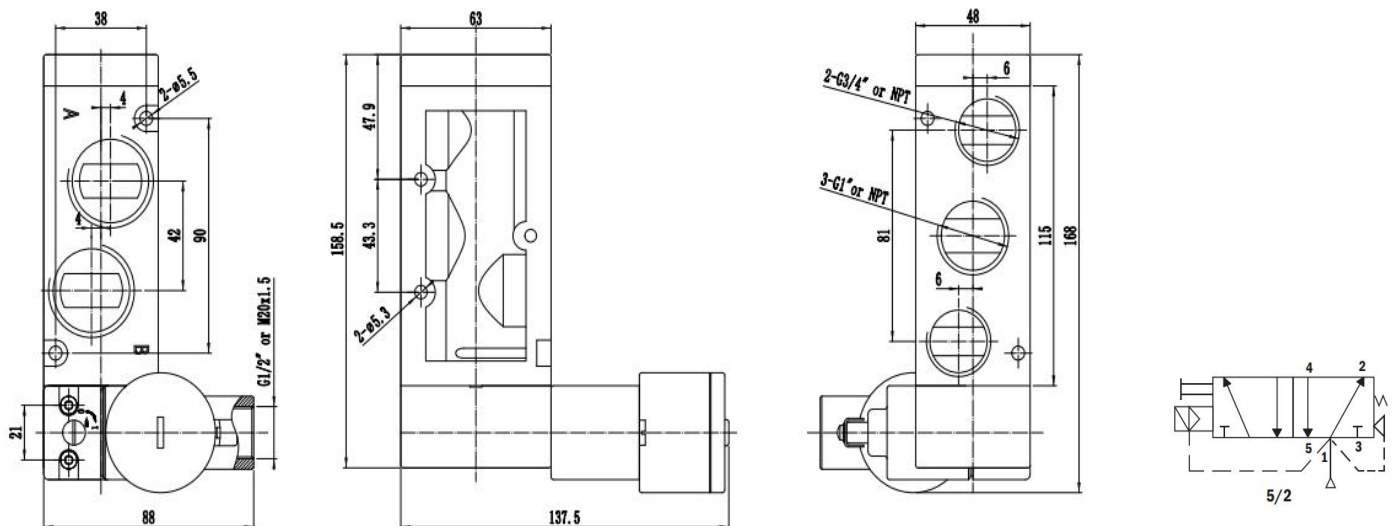


ALPHA-ACHEM Data Sheet	Product ID ALV414S2-QC5(110Q1C5)
PRODUCT NAME	
Ex d Solenoid Valve	
MODEL NO.	
ALV414S2-QC5(110Q1C5)	
DESCRIPTION OF THE PRODUCT	
<p>ALV414S2-QC5 series pilot action flameproof solenoid valve is composed of flameproof direct acting solenoid valve module and 414S2 series pneumatic valve module. Large voltage selection range, convenient wiring, good flameproof performance and large flow rate are the main advantages of this kind of solenoid valve.</p>	

APPROVED BY	Coil Specification (C5)		
	Operating Voltage	24/110VDC-3.5W 110/120/220/240VAC-4VA (50/60HZ)	
Spool Valve Specification	Voltage Tolerance	±10%	
Spool valve/Body	Extruded aluminum	Coil Enclosure	Die-casting Aluminum
Coating	Anodized coated	Wiring Connector	1/2"NPT or M20-1.5, Terminal Strip
Seal	Buna N	Insulation	H class
Materials in contact with fluid	Aluminum, Glass-filled PA, Buna N	Insulated voltage	1000V
Function	5/2, Pilot acting, Monostable	Duty factor	100% ED
Flow rate	CV =6.00 (110mm ²)	Area Classification	Ex d IIC T6 Gb (Class I Zone I AEx d IIC T6 Gb)
Air Ports	1" (Exhaust=G3/4")	Operating Temp.	-20℃ ~ 60℃

Fasteners	Stainless steel	Wiring Diagram  <p>Note: 1/2"NPT (or M20-1.5) Exd Cable Gland is not included. Enquiry please contact with us.</p>
Mounting	side mounting	
Working medium	less than 40µm filtered and dried air	
Medium	-5℃ ~ 60℃	
Working Pressure	2 ~ 8 bar	
Manual operation	Manual override on body	
Environment	Type 4, 4X (indoor and outdoor)	

DRAWING AND MOUNTING



***For continuous improvement of the product, we reserve the right to alter the dimensions, technical data and information included in this data sheet.



Engineering & Technical Centre, 1 Ormside Close, Hindley Industrial Estate, Hindley Green, Wigan, WN24HR, Greater Manchester, UK, Tel +44 (0) 1942 525833, Technicalsales@alphacontrols.co.uk, www.alphacontrols.co.uk

