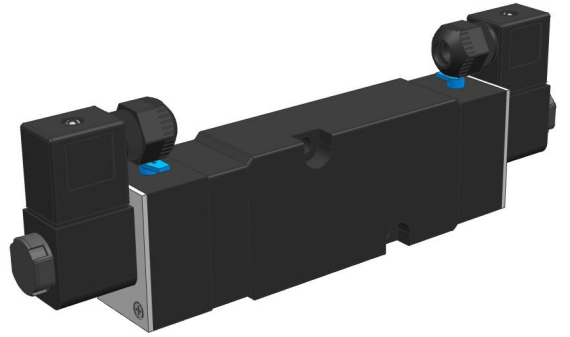



**Product ID ALV420F4C0D**

**PRODUCT NAME**  
**ACHEM NAMUR SOLENOID VALVE**  
**MODEL NO.**  
**ALV420F4C0D**  
**DESCRIPTION OF THE PRODUCT**  
 Based on NAMUR standard(24×32), the ALV320F4C0D ACHEM NAMUR solenoid valve can be directly mounted on actuator with 5/3 functions for controlling three positions of double-acting pneumatic actuators. Working pressure from 2 bar to 8 bar and the working voltage from 12-24VDC, 110-240VAC.



**APPROVED BY**  
 **IP66** **NAME4,4X**

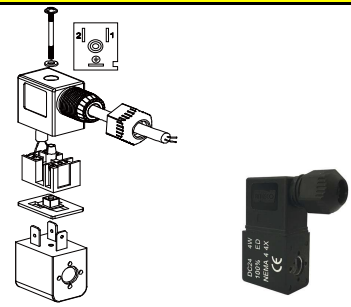
**Coil Specification(C0D)**

<b>Operating Voltage</b>	12/24/48VDC-4W 110/120/220/240VAC-4VA (50/60HZ)
<b>Voltage Tolerance</b>	±10%
<b>Wiring Connector</b>	External Thread Din Plug
<b>Cable Size</b>	Dia.5-10mm
<b>Insulation Protection</b>	F Class (H Class On Requiring)
<b>Insulated Voltage</b>	1000V
<b>Duty Factor</b>	100% ED
<b>Weather Proof</b>	IP66
<b>Operating Temp.*</b>	-20℃~80℃

**SPOOL VALVE TECHNICAL DATA**

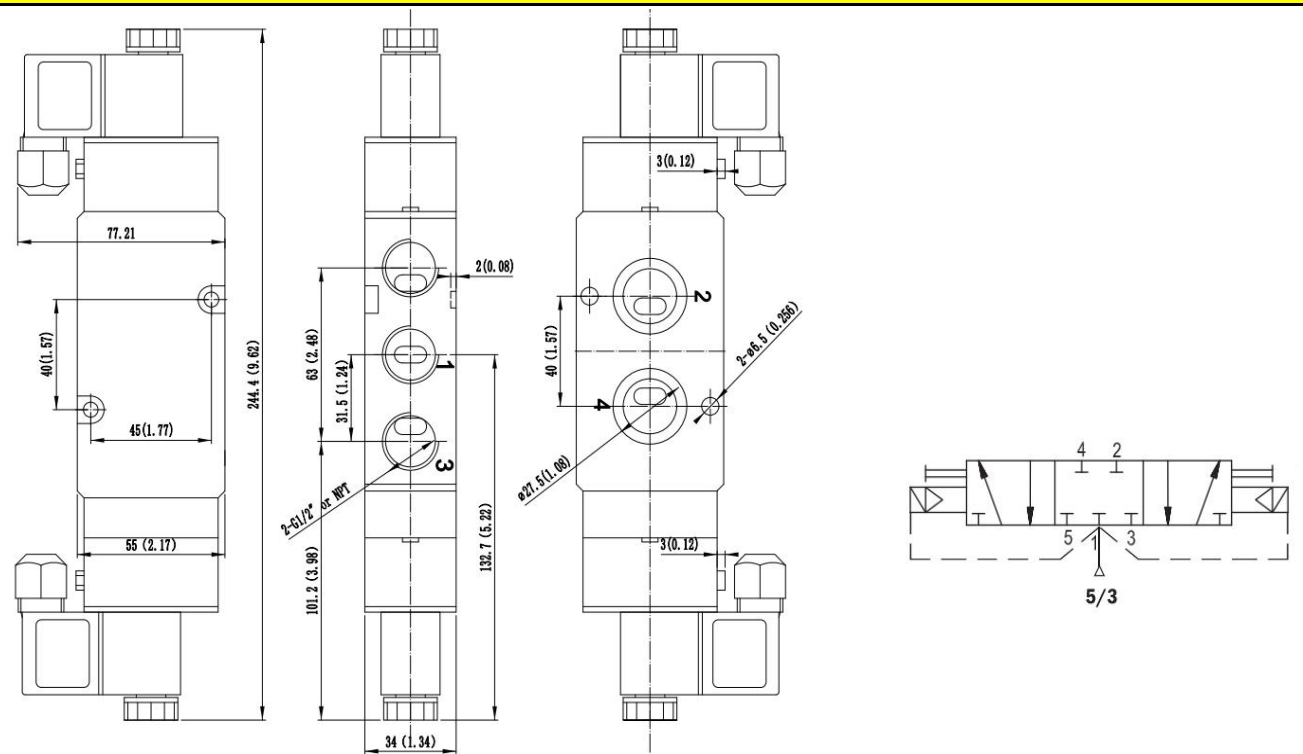
<b>Spool valve/Body</b>	Extruded aluminum
<b>Coating</b>	Anodized coated, or Nickel coated in chemical
<b>Seal</b>	Buna N
<b>Materials in contact with fluid</b>	Aluminum, Glass-filled PA, Buna N
<b>Function</b>	5/3, CV =2.79, Bistable 3/3 available with 3/2 adaptor plate
<b>Air Ports</b>	Air ports 1/2" BSPP or NPT
<b>Assembly and Connection</b>	40×45 Namur, Manual override on body
<b>Fasteners</b>	Stainless steel
<b>Environment</b>	indoor and outdoor
<b>Medium Temperature</b>	-5℃~80℃
<b>Working Pressure</b>	2~8 bar
<b>Working Medium</b>	less than 40µm filtered and dried air
<b>Working life</b>	more than 1000,000 cycle (On the normal working condition)

**Wiring Diagram**



\* When the operating temp. is different with medium temperature, the one has smaller absolute value must be chose.

**DRAWING AND MOUNTING**



\*\*\*For continuous improvement of the product, we reserve the right to alter the dimensions, technical data and information included in this data sheet.

