




ALPHA-ACHEM Data Sheet	Product ID ALV510F3C0D
PRODUCT NAME	
ACHEM NAMUR SOLENOID VALVE	
MODEL NO.	
ALV510F3C0D	
DESCRIPTION OF THE PRODUCT	
The same ACHEM NAMUR solenoid valve can be adapted for 3/2 NC or 5/2 functions for controlling double-acting and single-acting pneumatic actuators in the area of OUTDOOR. Armed with "environmentally-protected structure", all the exhaust ports of this spool valve are connectable which offer excellent environmental protection against the ingress of liquids, dusts or other foreign matter.	

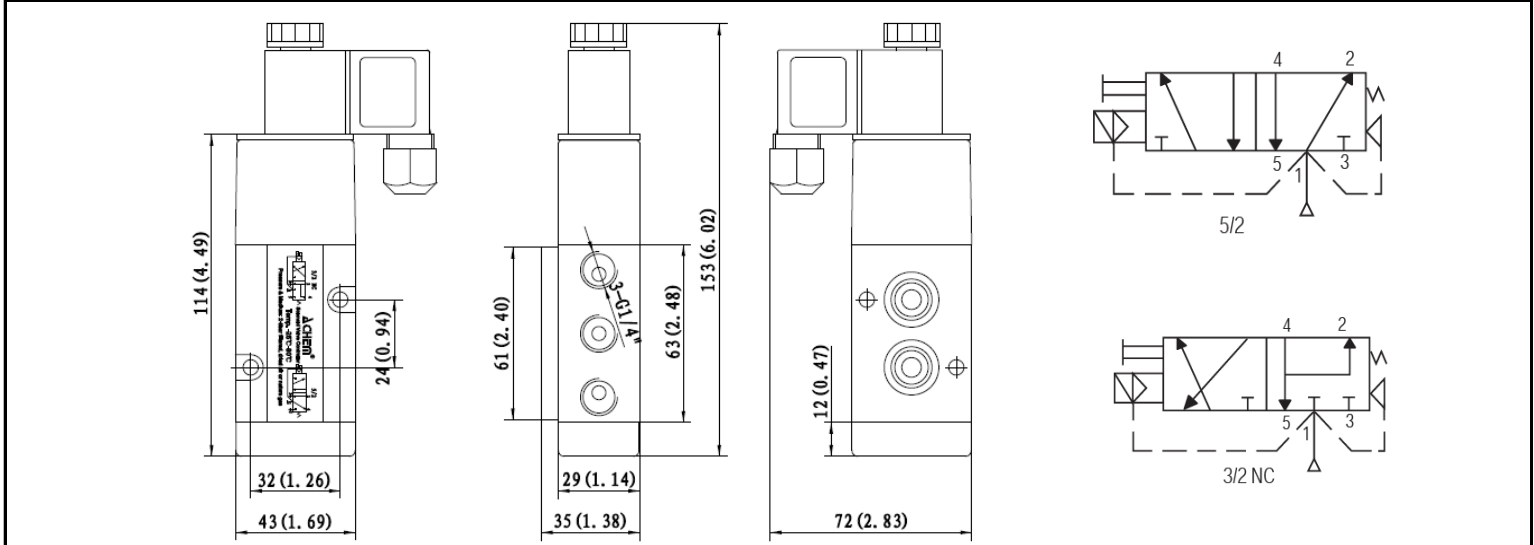
APPROVED BY	Coil Specification(C0D)
 IP66 NAME4,4X	Operating Voltage 24/48VDC-4W 110/210/220/240VAC-5VA(50/60HZ)
SPOOL VALVE TECHNICAL DATA	Wiring Connector External Thread Connectors
Spool valve/Body Extruded aluminum	Cable Entry PG9 + PG11(5-10mm)
Coating Anodized coated, or Nickel coated in chemical	Insulation Protection H Class wire
Seal Buna N	Insulated voltage 1000V
Materials in contact with fluid Aluminum, Glass-filled PA, POM, Buna N	Duty factor 100% ED
Function 5/2 and 3/2NC, CV =1.1(19.63mm ²), Monostable	Weather Proof IP66

Air Ports Air ports 1/4" BSPP or NPT	Wiring Diagram
Assembly and Connection 24x32 Namur, Manual override on body	
Fasteners Stainless steel	
Environment indoor and outdoor	
Working Temperature -20°C~80°C	
Working Pressure 2~8 bar	
Working Medium less than 40µm filtered and dried air	
Bistable(ALV510F3C0D) available on requiring	
Working life more than 1000,000 cycle (On the normal working condition)	

Advanced Features

1, All the exhaust ports of this spool valve are connectable, providing better environmental protection.
2, The valves armed with "environmentally-protected structure" offer environmental protection against the ingress of liquids, dusts or other foreign matter.

DRAWING AND MOUNTING



***For continuous improvement of the product, we reserve the right to alter the dimensions, technical data and information included in this data sheet.