

ACHEM Data Sheet

Product ID ALV510F3C0F

PRODUCT NAME

ACHEM NAMUR SOLENOID VALVE

MODEL NO.

ALV510F3C0F

DESCRIPTION OF THE PRODUCT

The same ACHEM NAMUR solenoid valve can be adapted for 3/2 NC or 5/2 functions for controlling double-acting and single-acting pneumatic actuators in the area of OUTDOOR. Armed with "environmentally-protected structure" and thermoplastic encapsulated pull-type solenoid coil, ALV510F3C0F can offer excellent environmental protection against the ingress of liquids, dusts or other foreign matter.

APPROVED BY



IP67

NAME4,4X

SPOOL VALVE TECHNICAL DATA

Spool valve/Body	Extruded aluminum
Coating	Anodized coated, or Nickel coated in chemical
Seal	Buna N
Materials in contact with fluid	Aluminum, Glass-filled PA, POM, Buna N
Function	5/2 and 3/2NC, CV = 1.1(19.63mm ²), Monostable
Air Ports	Air ports 1/4" BSPP or NPT
Assembly and Connection	24x32 Namur, Manual override on body
Fasteners	Stainless steel
Environment	indoor and outdoor
Medium Temperature	-20°C ~ 80°C
Working Pressure	2 ~ 8 bar
Working Medium	less than 40µm filtered and dried air
Bistable(ALV520F3C0)	available on requiring
Working life	more than 1000,000 cycle (On the normal working condition)

Advanced Features

- All the exhaust ports of this spool valve are connectable, providing better environmental protection.
- The valves armed with "environmentally-protected structure" offer environmental protection against the ingress of liquids, dusts or other foreign matter.

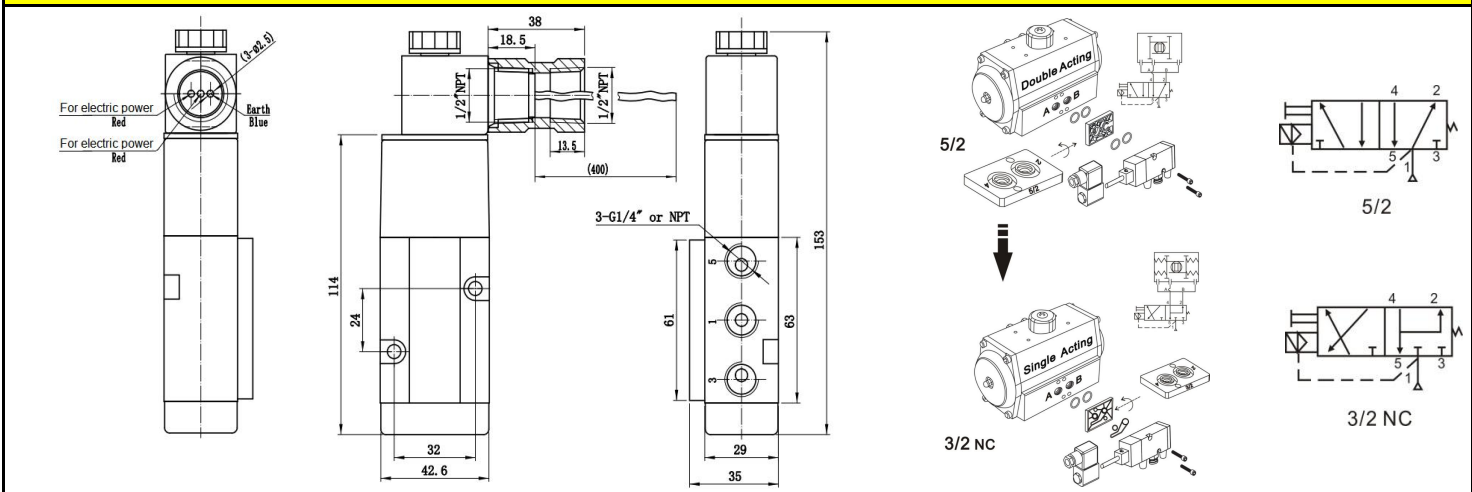


Solenoid Coil Specification(C0F)

Catalog Number C0F is thermoplastic encapsulated pull-type solenoid coils for use with ACHEM valves. These solenoids have three lead wires with one wire for grounding and a 1/2" NPT conduit connection. C0F is designed to meet Enclosure Type 1 - General Purpose, Types 3 and 3S - Raintight and Types 4 and 4X - Watertight.

Operating Voltage (4W/4VA)	24/48VDC 110/120/220/240VAC(50/60HZ)
Operating Voltage (6.3W/6.3VA)	24VDC 120VAC(50/60HZ)
Length of lead wires	400mm (3xφ2.5mm)
Cable entry	1/2" NPT
Conduit connection	Aluminum
Insulation Protection	F Class wire
Duty factor	100% ED
Weather Proof	IP67, Type4, 4X

DRAWING AND MOUNTING



***For continuous improvement of the product, we reserve the right to alter the dimensions, technical data and information included in this data sheet.