

ALPHA-ACHEM Data Sheet

Product ID ALV610F3C0D

PRODUCT NAME

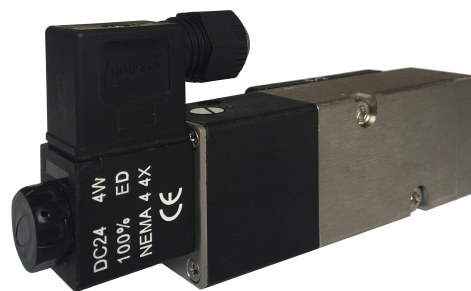
5/2 High Performance Stainless Steel Solenoid Valve

MODEL NO.

ALV610F3C0D

DESCRIPTION OF THE PRODUCT

Based on NAMUR standard, the same AICHEM STAINLESS STEEL NAMUR solenoid valve can be adapted for 3/2 NC or 5/2 functions for controlling double-acting and single-acting pneumatic actuators. Armed with the stainless steel(316) body, this solenoid valve is excellent for use in corrosive atmospheres. Working pressure from 2bar to 8 bar and the working voltage from 12-48VDC, 110-240VAC.



APPROVED BY



IP66

NEMA4,4X

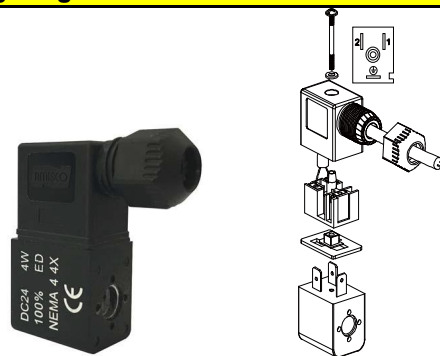
Solenoid Coil (C0D)

SPOOL VALVE TECHNICAL DATA

Spool Valve/Body	SS316 Stainless Steel
Coating	Electropolishing
Seal	Buna N
Materials in Contact with Fluid	Atainless Steel, Glass-filled Resin, Buna N
Function	3/2NC or 5/2, Monostable, Pilot Operation
Air Ports	Air Ports 1/4" BSPP or NPT
Flow Rate	CV = 1.1(19.63mm ²)
Installation and Connection	24x32 Namur, Manual Override On Body
Fasteners	Stainless Steel
Environment	Indoor and Outdoor
Medium Temperature*	-20°C ~ 80°C
Working Pressure	2 ~ 8 bar
Working Medium	Less Than 40µm Filtered and Dried Air
Bistable (ALV620F3-)	Available On Requiring
Working Life	More Than 1000,000 Cycle (On The Normal Working Condition)

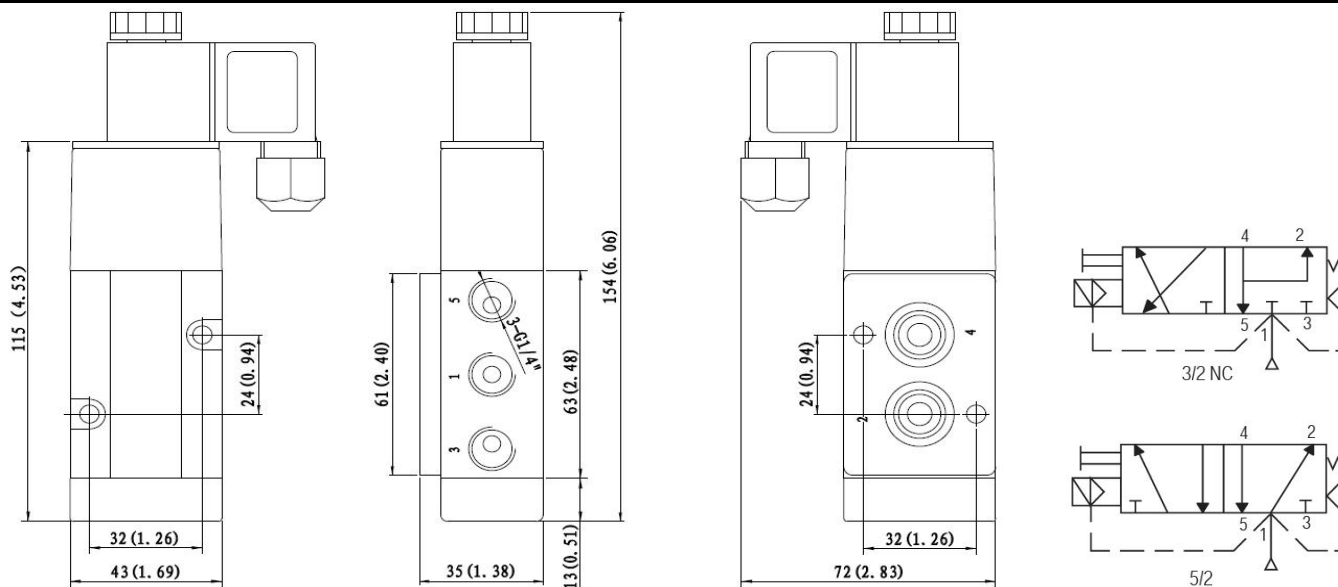
Operating Voltage	12/24/48VDC-4W 110/210/220/240VAC-4VA (50/60HZ)
Voltage Tolerance	±10%
Wiring Connector	External Thread Din Plug
Cable Size	Dia.5-10mm
Insulation	F Class (H Class On Requiring)
Insulated Voltage	1000V
Duty Factor	100% ED
Weather Proof	IP66
Operating Temp.*	-20°C ~ 80°C

Wiring Diagram



* When the operating temp. is different with medium temperature, the one has smaller absolute value must be chose.

DRAWING AND DIMENSION



**For continuous improvement of the product, we reserve the right to alter the dimensions, technical data and information included in this data sheet.



Engineering & Technical Centre, 1 Ormside Close, Hindley Industrial Estate, Hindley Green, Wigan, WN24HR, Greater Manchester, UK, Tel +44 (0) 1942 525833, Technicalsales@alphacontrols.co.uk, www.alphacontrols.co.uk

