

ALPHA-ACHEM Data Sheet

Product ID ABV001

**PRODUCT NAME**

ACHEM BLOCK AND VENT DEVICE

**MODEL NO.**

ABV001

**DESCRIPTION OF THE PRODUCT**

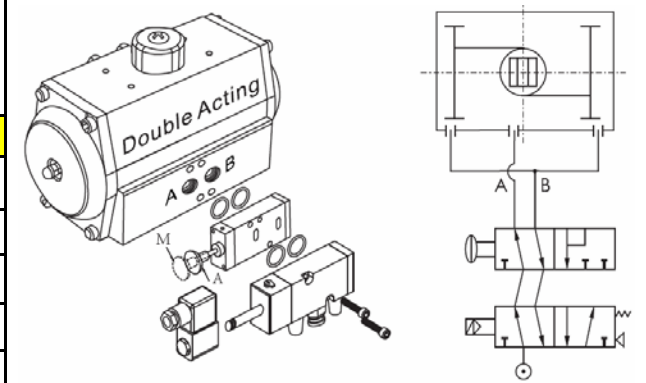
Where the pneumatic actuator needs to be isolated from the air control system of the plant, typically in the application of the valve + declutch manual override + actuator, the valve needs to be manual operated by the declutch, the "Block and Vent" will help more in operation. This device provides a local means of blocking the supply air from both solenoid valve and actuator, and at the same time venting all compressed air from both chambers of the actuator. This device is available both for double acting and spring return actuator.



**SPECIFICATIONS AND TECHNICAL DATA**

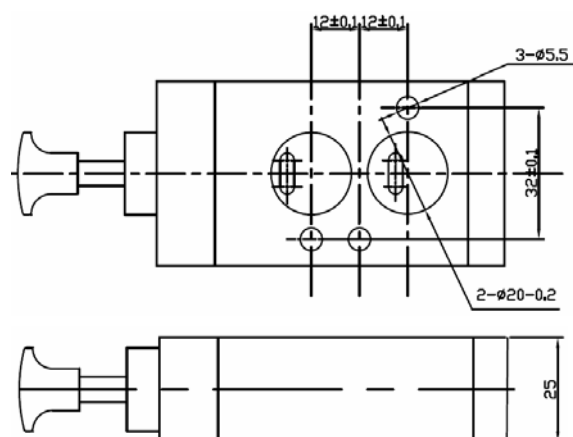
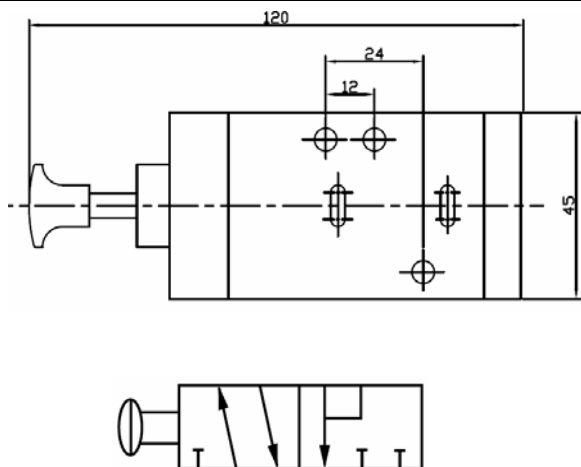
Materials in contact with fluid	Aluminum, Brass, Buna NBR
Coating	Anodized coated
Seal	Buna N
Function	5/2
Vent Port	1/8" or 1/4"BSPP
Assembly and Connection	24×32 Namur
Working Medium	less than 40µm filtered and dried air
Maximum Orifice of Flux	Φ 5.6mm (24mm <sup>2</sup> )
CV	1.4
Working Temperature	-20℃~80℃
Working Pressure	0~8 bar

**MOUNTING AND ADJUSTMENT**



**Most Important hint:**  
 In the "A" position (the knob close to the body), actuator two ports are opened to solenoid valve for normal control.  
 In the "M" position (the knob far from the body), actuator two ports are opened to vent port and the supply air from solenoid valve is blocked off.

**DRAWING AND DIMENSION**



Engineering & Technical Centre, 1 Ormside Close, Hindley Industrial Estate, Hindley Green, Wigan, WN24HR, Greater Manchester, UK, Tel +44 (0) 1942 525833, [Technicalsales@alphacontrols.co.uk](mailto:Technicalsales@alphacontrols.co.uk), [www.alphacontrols.co.uk](http://www.alphacontrols.co.uk)

