

Air Filter Regulator ALFR-200, ALFR-205



Product Number: ALFR-200 / ALFR-205 (specify your requirement)

Model	Connection Type*	Ambient Temp
ALFR-200	P BSPP	1 -20~70°C
ALFR-205	N NPT	2 -20~120°C

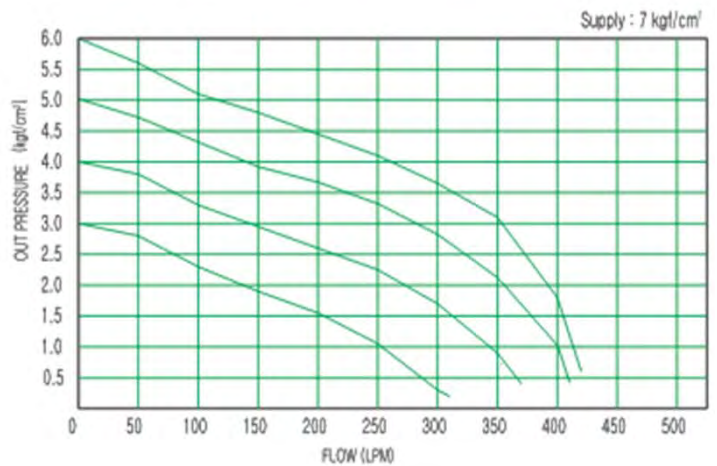
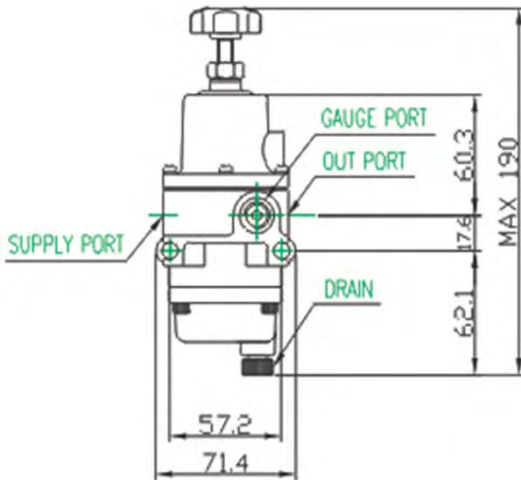
*ALFR-205 is available for NPT1/4 connection type ONLY



Item . Type	ALFR-200	ALFR-205
Max. Supply Pressure	≤15Bar	
Max. Output Pressure	0~8Bar	
Air Connection	BSPP(NPT)1/4	NPT1/4
Gauge	0~10Bar	
Gauge Connection	BSPP(NPT)1/4	NPT1/4
Ambient Temp.	-20~70°C(-4~158°F)(Standard type)	
Min. Filtering Size	5 micron	
Material	Aluminum Diecasting	Stainless Steel 316
Weight	0.6kg(1.7lb)	1.4kg(3.0lb)

ALFR-200

ALFR-205



Air filter regulator suitably reduce plant's main air supply pressure and supplies to valve position(s) or control device(s).

- Maintain stable outlet pressure
- Light weight and compact size
- 5 micron filter
- Relief function - discharge pressure if outer pressure is higher than set pressure