

Miniature Air Regulators



SPECIFICATIONS

Body

- Glass filled nylon

Bonnet

- Glass filled nylon

Seals

- Buna N

Supply Pressure

- 250 psig

Operating Pressure Range

- 5 to 125 psig standard
- 3 to 60 psig optional
- 3 to 20 psig optional

Operating Temperature Range

- 40°F to 120°F

Gauge Ports

- 1/8" standard, full flow

KITS

Panel Mounting Kit

- Ring only, panel hole size 1 3/16" PK1611

Diaphragm Kits

- Relieving RK260
- Non-relieving RK260N

Bracket Kit see page 65

- Bracket and ring BR1611

Applications

- Non-relieving diaphragm can be used on liquid applications

FEATURES

- Micro seat finish to ensure no reduced pressure creep
- Diaphragm operation
- Relieving style standard
- Three position non-rising adjustment knob; push to lock, pull to adjust, detach to make tamper resistant
- Easily panel mounted
- Tamper-proof cap included
- Lightweight

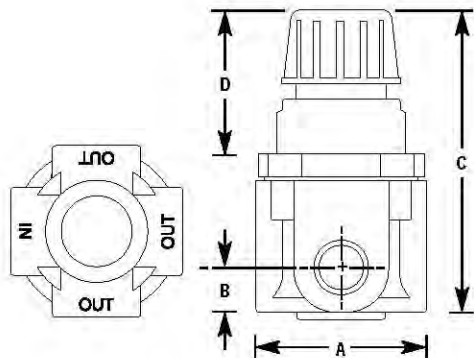
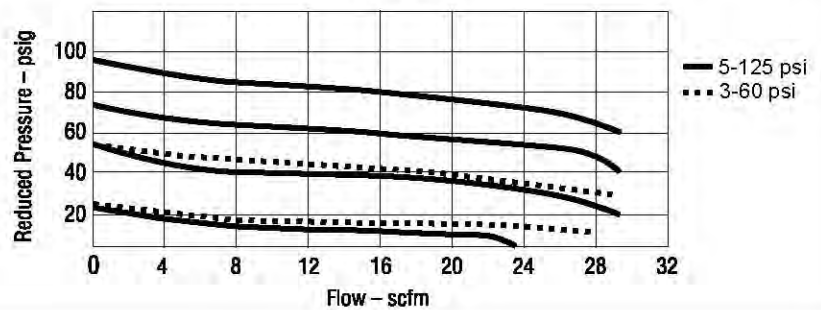
OPTIONS

add suffix to part number in alpha order

- B** 2-Position Mechanical Lock Knob R262B
- G** Gauge (0-160 psi) R262G
- I** Instrument pressure 3 to 20 psi adjustment R262I
- L** Low pressure 3 to 60 psi adjustment R262L
- N** Non-relieving R262N
- P** Panel mount R262P
- U** No gauge ports R262U
- V** All 1/4" ports R262V
- Y1** Viton diaphragm/valve set R262Y1
- Y2** EDPM diaphragm/valve set R262Y2

PERFORMANCE CHARACTERISTICS

100 psig Inlet



DIMENSIONS

PIPE SIZE	MODEL NO.	MAX. FLOW SCFM	DIMENSIONS (INCHES)				WEIGHT (OZS.)
			A	B	C	D	
1/8"	R261	25	1 1/2	1/2	2 3/4	1 1/4	2
1/4"	R262	25	1 1/2	1/2	2 3/4	1 1/4	2