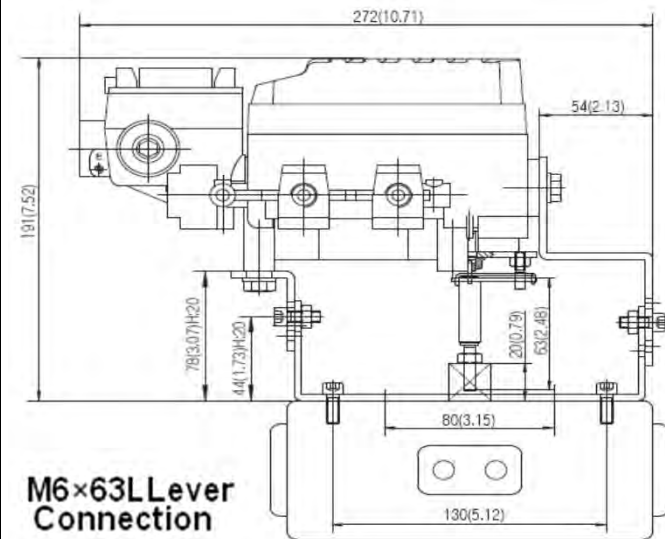
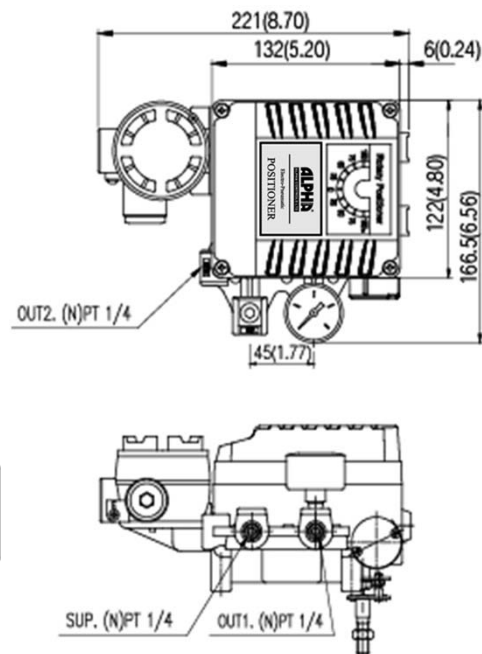


Namur Connection



M6×63L Lever Connection



MODEL NO.

ALP1000RDn53

PRODUCT LINE

ALP Series Valve Positioner

ORDERING and SPECIFICATIONS

Type of the positioner	R: Rotary, 0° - 90°
Type of Acting	<input checked="" type="checkbox"/> D: Double Acting <input type="checkbox"/> S: Single Acting
Option for feedback	<input checked="" type="checkbox"/> Blank: Not <input type="checkbox"/> IT: Position Transmitter (4-20mA) <input type="checkbox"/> IB: Internal Limit Switches (2-SPST) <input type="checkbox"/> ET: External Position Transmitter (4-20mA) <input type="checkbox"/> EB: External Limit Switches (2-SPDT) <input type="checkbox"/> ET&B: External 4-20mA & 2-SPDT
Explosion Proof	<input checked="" type="checkbox"/> n: no explosion proof <input type="checkbox"/> m: Ex d IIB T6 <input type="checkbox"/> i: Ex ia IIC T6
Lever Type	<input type="checkbox"/> 1: M6×40L <input type="checkbox"/> 2: M6×63L <input checked="" type="checkbox"/> 5: Namur connecting
Orifice Size	<input type="checkbox"/> 1: for <90cm ³ volume actuator <input type="checkbox"/> 2: for 90-180cm ³ volume actuator <input checked="" type="checkbox"/> 3: for >180cm ³ volume actuator

Technical Data

Input signal	4~20mADC(5-15mADC)
Impedance	250±15 Ω
Supply pressure	1.4~7kgf/cm ² (20~100psi)
Air connection	G (NPT) 1/4"
Gauge connection	G (NPT) 1/8"
Conduit	G (NPT) 1/2"
Weather protection	IP66
Ambient temperature	-20℃~70℃
Linearity	±1.5%
Hysteresis	1.50%
Sensitivity	0.40%
Air consumption	3LPM(Sup=1.4kgf/cm ² , 20psi)
Flow capacity	8LPM(Sup=1.4kgf/cm ² , 20psi)
Material	Aluminum Die Casting
Weight	2.7kg(6lb)2.8kg(6.2lb)

ALPHA CONTROLS LTD

Add:ALPHA CONTROLS LTD HINDLEY INDUSTRIAL ESATE, SWAN LANE, HINDLEY GREEN, WIGAN. WN2 4HR

Tel: (0044) 1942 525 833 / Fax: (0042) 1942 523 413

E-mail: technicalsales@alphacontrols.co.uk / www.alphacontrols.co.uk