



This document is from Humphrey's Technical Library. If you need technical or sales assistance, please contact a Humphrey distributor. To locate the Humphrey distributor closest to you, please dial 1-800-477-8707.

Title: 310/410 In-Line Solenoid Valves

ISO Date: April 10, 2006

Don't Take Chances

Compressed air is an extremely powerful medium. Always take maximum precautions when handling any component of a compressed air system. **Never** attempt to construct, replace, operate or service any component of a compressed air system unless you have been specifically and properly trained to do so. **Always** disconnect the supply air, and exhaust the air system before attempting to remove or service a component of that system. Failure to heed these warnings could result in SERIOUS, EVEN FATAL, PERSONAL INJURY.

Design And Specifications

The design and specifications and other product information contained in this catalog is for general reference purposes based upon customary and usual manufacturing standards and product applications. However, it is difficult to predict or to anticipate the functioning or suitability of the product for any particular application or use. Therefore, nothing herein shall be deemed a representation or warranty of the product design or specifications and Buyer shall have the responsibility for investigating and testing the product in any particular application or use and all risks attendant in such use.

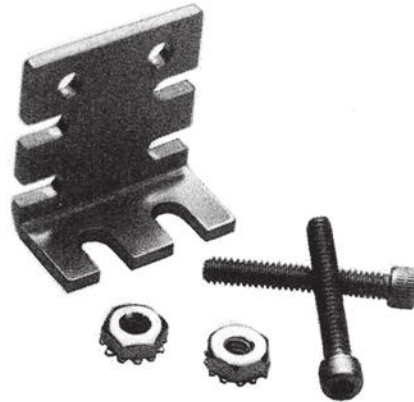
Humphrey Products Company
1-800-477-8707
Kalamazoo, MI 49003
www.humphrey-products.com

310 SOLENOID VALVES



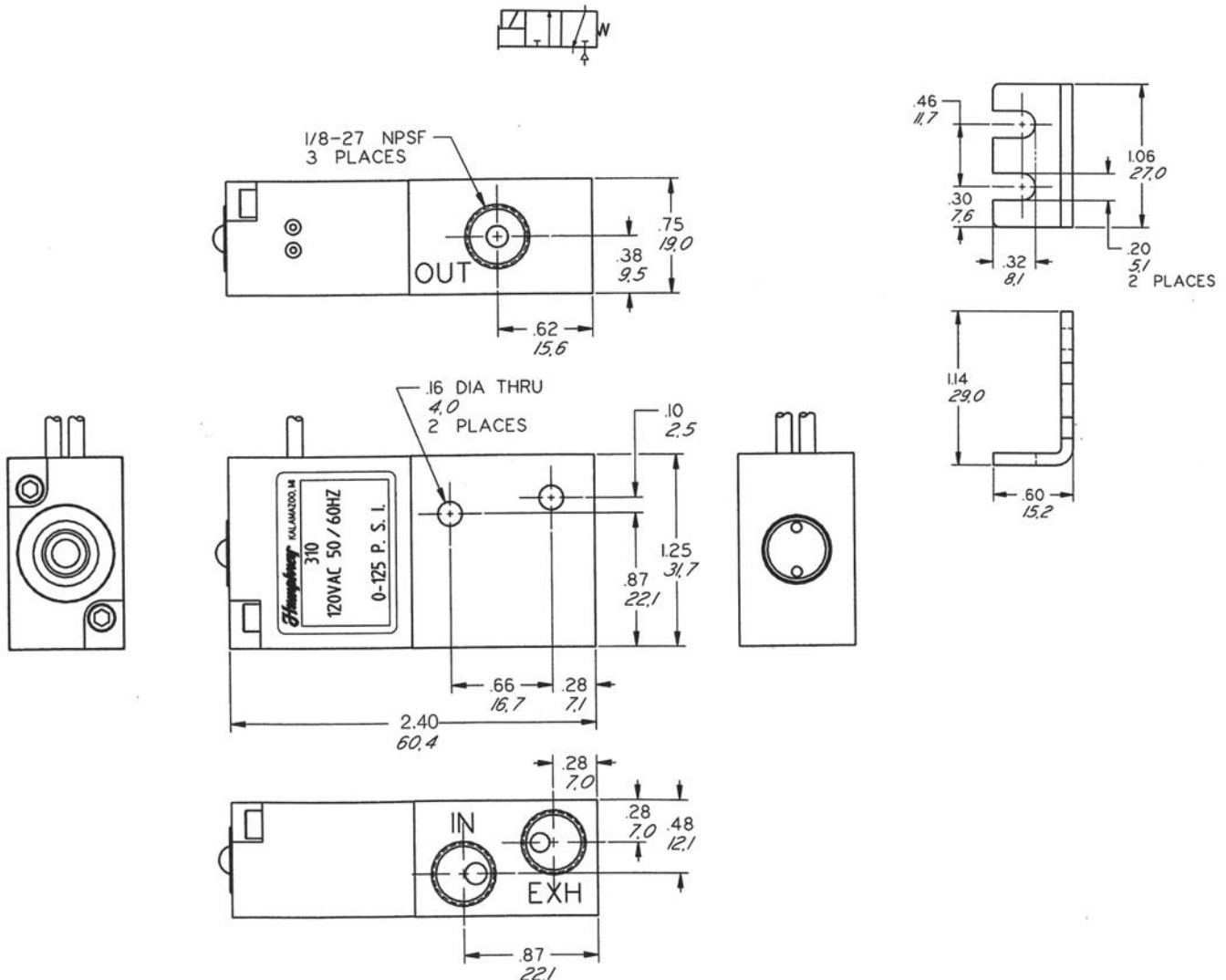
310

- 3-way
- 2-position, spring return
- Direct acting, single solenoid
- Continuous duty coil
- Three 1/8-27 NPSF ports (IN, OUT, EXH)
- Non-locking manual override
- 24-inch lead wires
- Specify model V310 for vacuum from 0" to 28" Hg.

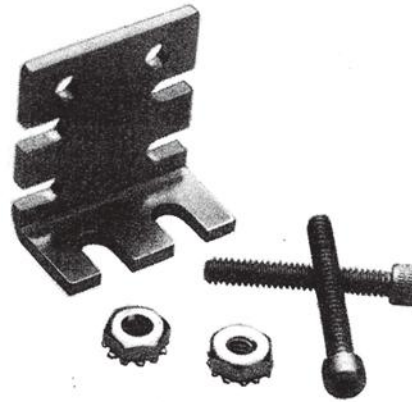


8-288A MOUNTING BRACKET

A convenient, optional plated steel mounting bracket kit is designed for use with both 3-way and 4-way valves. This kit consists of a bracket, two #6-32 screws, and two captive lockwasher nuts. Screws are plated steel, 1-inch (25.4mm) long.



410 SOLENOID VALVES

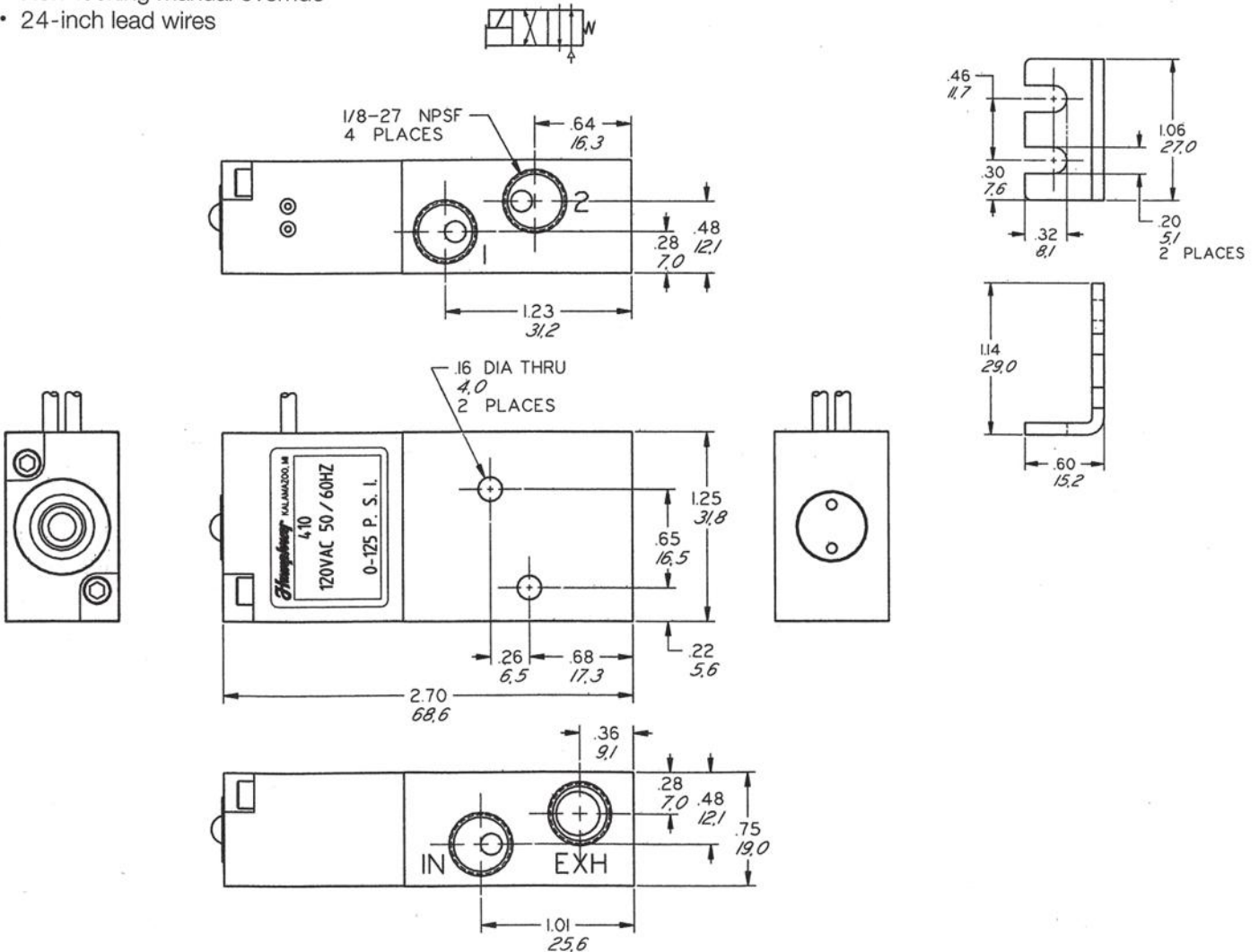


410

- 4-way, Normally Open/Normally Closed
- 2-position, spring return
- Direct acting, single solenoid
- Continuous duty coil
- Four 1/8-27 NPSF ports: IN, Delivery ports 1 & 2, and single exhaust port (EXH)
- Non-locking manual override
- 24-inch lead wires

8-288A MOUNTING BRACKET

A convenient, optional plated steel mounting bracket kit is designed for use with both 3-way and 4-way valves. This kit consists of a bracket, two #8-32 screws, and two captive lockwasher nuts. Screws are plated steel, 1.25 inch (31.8mm) long.

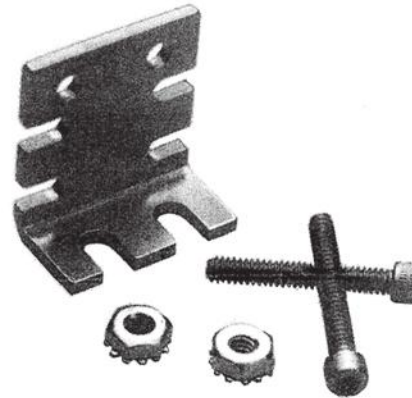


410-70 SOLENOID VALVES



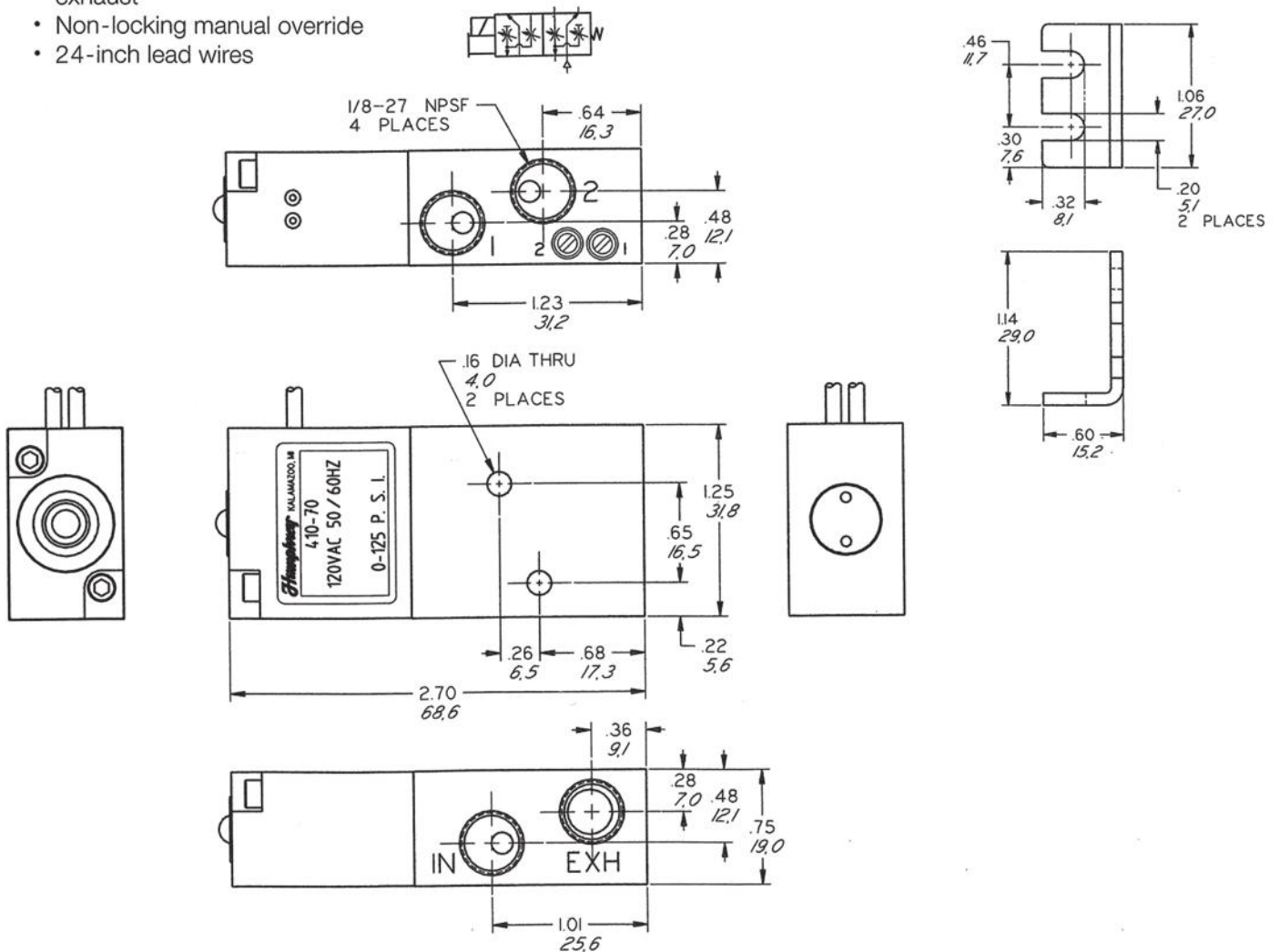
410-70

- 4-way, Normally Open/Normally Closed
- 2-position, spring return
- Direct acting, single solenoid
- Continuous duty coil
- Four 1/8-27 NPSF ports: IN, Delivery ports 1 & 2, and single exhaust port (EXH)
- Individual flow controls for each Delivery port exhaust
- Non-locking manual override
- 24-inch lead wires



8-288A MOUNTING BRACKET

A convenient, optional plated steel mounting bracket kit is designed for use with both 3-way and 4-way valves. This kit consists of a bracket, two #8-32 screws, and two captive lockwasher nuts. Screws are plated steel, 1.25 inch (31.8mm) long.



ORDER INFORMATION

310/410 Series In-line Body Ported Valves

1/8-inch ports, 2-way, 3-way, 4-way

VALVES

Model ^{NOTE 2}	Option description												Voltage
	Two-way ^{NOTE 1}	With mounting bracket ^{NOTE 1}	Conduit connector (24" ends)	DIN-type connector	DC surge suppression	Flow controls	Locking manual override	Thumbscrew Locking override	No manual override	72" lead wires	Metal oxide varistor	Rotated coil (180°)	
Option code	2	21	36	39	50	70	81	83	87	LL	MOV	RC	
310 3-way, in-line	SP					NA							12 VDC, 24 VDC 24 VAC 50/60 100 VAC 50/60 120 VAC 50/60 200 VAC 50/60 240 VAC 50/60
V310 vacuum 3-way, in-line		SP	SP	SP	SP		SP	SP	SP	SP	SP	SP	
410 4-way, in-line	NA					SP							

NOTE: Standard valves are furnished with 24" flying lead wires and a non-locking manual override.

NOTE 1: 1/8" plug for 2-way and code 21 mounting bracket are furnished unattached to the valve.

NOTE 2: To specify metric ports, add an "E" prefix (i.e., E310 or EV310).

ACCESSORIES

Model	Description
8-288A	Universal mounting bracket
130-31	1/8-inch pipe plug
HS-2	DIN receptacle for use with code 39 connector
HS-2L	Lighted DIN receptacle for use with code 39 connector. Specify voltage. DC only.
HS2-LED	LED DIN receptacle for use with code 39 connector.

HOW TO ORDER

Starting with Model Number specify options in order from left to right.

Example: To order Model 310-2-21-LL 12VDC
 2-Way Operation (310-2)
 Mounting Bracket (310-2-21)
 72" Flying Leads (310-2-21-LL)
 Voltage 12VDC (310-2-21-LL 12VDC)

To order Model 410-21-70-87 120VAC 50/60
 Mounting Bracket (410-21)
 Flow Controls (410-21-70)
 No Manual Override (410-21-70-87)
 Voltage 120VAC 50/60 (410-21-70-87 120VAC 50/60)

Remember: Option Codes marked STD and NA are not used as part of the Model Number when ordering. N/C indicates no charge but Option Code must be included in the Model Number. SP indicates that Option must be specified when ordering. Specified Options become part of the Model Number.

N/C = No charge
 NA = Not available

STD = Standard
 SP = Specify; Additional charge for this option