



This document is from Humphrey's Technical Library. If you need technical or sales assistance, please contact a Humphrey distributor. To locate the Humphrey distributor closest to you, please dial 1-800-477-8707.

Title: 320/420 In-Line Solenoid Valves

ISO Date: April 10, 2006

Don't Take Chances

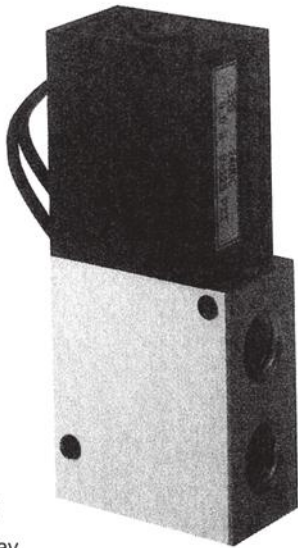
Compressed air is an extremely powerful medium. Always take maximum precautions when handling any component of a compressed air system. **Never** attempt to construct, replace, operate or service any component of a compressed air system unless you have been specifically and properly trained to do so. **Always** disconnect the supply air, and exhaust the air system before attempting to remove or service a component of that system. Failure to heed these warnings could result in SERIOUS, EVEN FATAL, PERSONAL INJURY.

Design And Specifications

The design and specifications and other product information contained in this catalog is for general reference purposes based upon customary and usual manufacturing standards and product applications. However, it is difficult to predict or to anticipate the functioning or suitability of the product for any particular application or use. Therefore, nothing herein shall be deemed a representation or warranty of the product design or specifications and Buyer shall have the responsibility for investigating and testing the product in any particular application or use and all risks attendant in such use.

Humphrey Products Company
1-800-477-8707
Kalamazoo, MI 49003
www.humphrey-products.com

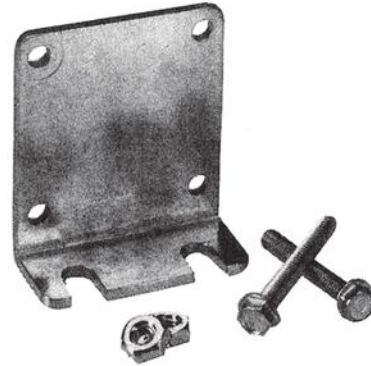
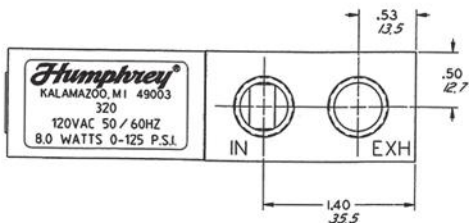
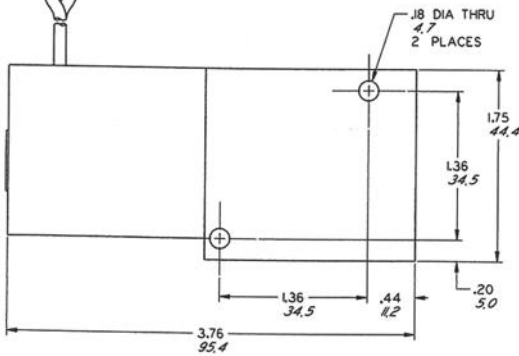
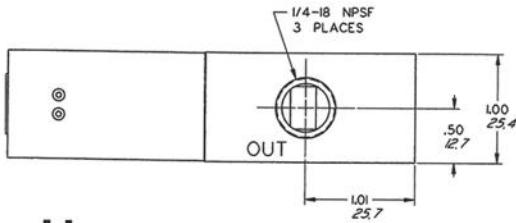
320 SOLENOID VALVES



320

- 3-way
- 2-position, spring return
- Direct acting, single solenoid
- Continuous duty coil
- Three 1/4-18 NPSF ports (IN, OUT, EXH)
- Non-locking manual override
- 24-inch lead wires
- Optional conduit connector (order code -36)

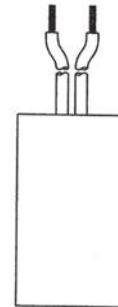
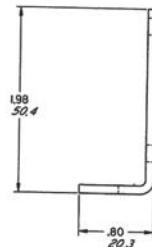
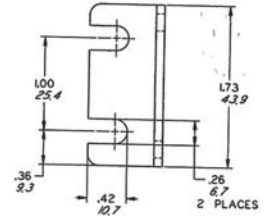
Order example: 320 24VDC



8-388A MOUNTING BRACKET

A convenient, optional plated steel mounting bracket kit is designed for use with both 3-way and 4-way valves. This kit consists of a bracket, two screws, and two captive lockwasher nuts.

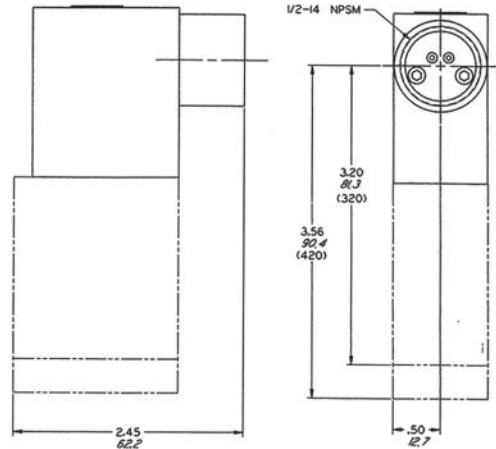
Order example: 8-388A



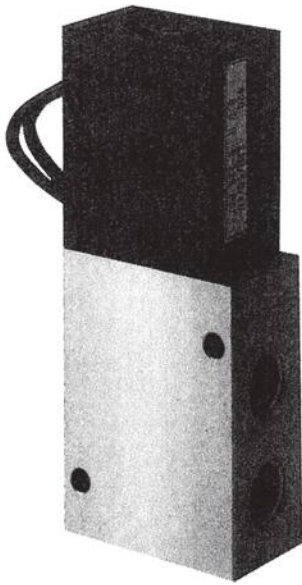
MODEL 320-36

This conduit connector (Order code -36) for closed wiring systems features a steel conduit assembly attached to the valve coil.

Order example: 320-36 24VDC



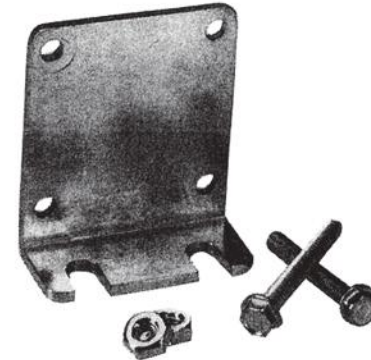
420 SOLENOID VALVES



420

- 4-way, Normally Open/Normally Closed
- 2-position, spring return
- Direct acting, single solenoid
- Continuous duty coil
- Four 1/4-18 NPSF ports: IN, Delivery ports 1 & 2, and single exhaust port (EXH)
- Non-locking manual override
- 24-inch lead wires
- Optional conduit connector (order code -36)

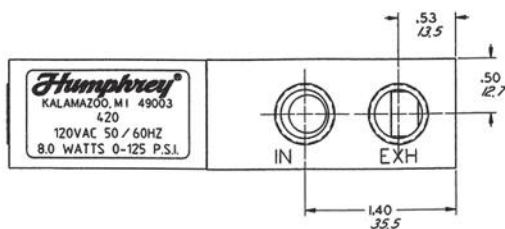
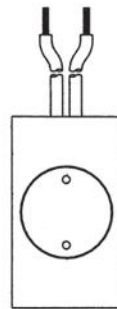
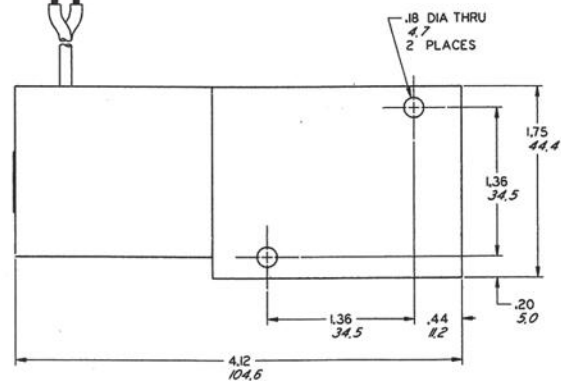
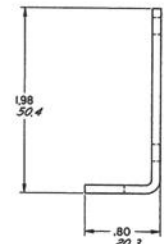
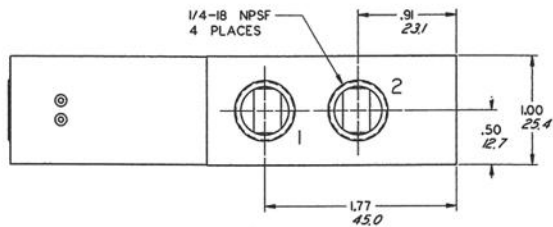
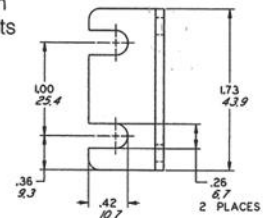
Order example: 420 120 50/60



8-388A MOUNTING BRACKET

A convenient, optional plated steel mounting bracket kit is designed for use with both 3-way and 4-way valves. This kit consists of a bracket, two screws, and two captive lockwasher nuts.

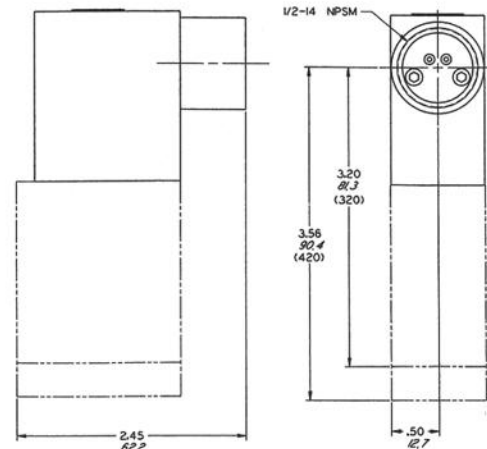
Order example: 8-388A



MODEL 420-36

This conduit connector (Order code -36) for closed wiring systems features a steel conduit assembly attached to the valve coil.

Order example: 420-36 120VAC 50/60



ORDER INFORMATION

320/420 Series Valves
1/4-Inch ports, 2-way, 3-way, 4-way

VALVES

Option code	2 Way	Conduit Connector	DIN-type Connector	Transient Suppression Diode (TSD)*	Spring Return Override	Locking Manual Override	No Manual Override	Flying Leads		Rotated Coil (180°)	Specify Voltage
								24"	72"		
Option code	2	36	39	50		81	87		LL	RC	See Below
Model 320 3-way In-line	SP	SP	SP	SP	STD	SP	SP	STD	SP	SP	N/C
Model 420 4-way In-line	SP	SP	SP	SP	STD	SP	SP	STD	SP	SP	N/C

*DC voltages only.

- To specify metric ports, add an "E" prefix (i.e. E320 or E420).
- NOTE: Code 21 (Mounting Bracket with screws) furnished unattached to valve.

Available Voltages

12V DC
 24V DC
 24V AC 50/60
 100V AC 50/60
 120V AC 50/60
 200V AC 50/60
 240V AC 50/60
 12V DC-50
 24V DC-50

ACCESSORIES

Model	Description
8-388A	Universal Mounting Bracket
130-15	Port Plug
HS-3	DIN receptacle for use with code 39 connector
HS-3L	Lighted DIN receptacle for use with code 39 connector. Specify voltage. AC/DC 12V, 24V, 120V, or 240V.

ACCESSORIES

Model	Description
8-388A	Universal Mounting Bracket
130-15	Port Plug
HS-3	DIN receptacle for use with code 39 connector
HS-3L	Lighted DIN receptacle for use with code 39 connector. Specify voltage. AC/DC 12V, 24V, 120V, or 240V.

HOW TO ORDER

Starting with Model Number, specify options in order from left to right.

Example: To order Model 320-2-50-LL 12VDC
 2-way function (320-2)
 TSD coil (320-2-50)
 72" flying leads (320-2-50-LL)
 Voltage 12VDC (320-2-50-LL 12VDC)

To order Model 420-87 120VAC 50/60
 No manual override (420-87)
 Voltage 120 50/60 (420-87 120VAC 50/60)

Remember: Option Codes marked STD, NA, N/C are not used as part of the Model Number when ordering. N/C indicates no charge but Option Code must be included in the Model Number.

N/C = No charge STD = Standard
 NA = Not available SP = Specify; Additional charge for this option